



DN4163E12/P
12 Cameras, 16 Channels, 3TB HDD

FLIR IP™

Full HD PoE+ NVR System

The FLIR Full HD PoE+ NVR System provides 200Mbps high-performance video processing with 12x weatherproof eyeball domes for exceptional 4MP HD recording on every channel. True WDR capability up to 100dB ensures excellent image quality around the clock, and intelligent compression optimizes video performance based on available bandwidth. Installation is made simple with the NVR's 16x integrated PoE+ ports and auto-detection of IP cameras upon connection.

HIGH PERFORMANCE VIDEO PROCESSING

Smooth video recording up to 4MP resolution

- 200Mbps network bit rate
- Supports high definition recording with cameras up to 4MP
- Intelligent compression coupled with Region of Interest (ROI) optimizes video performance based on available bandwidth*

EASY INSTALLATION

Integrated PoE inputs for quick, convenient connection

- 16 integrated PoE ports with PoE+ support
- 120W total PoE (up to 25W per channel)
- Auto-discovery of FLIR IP cameras with no programming

4MP DOME CAMERAS INCLUDED

Outstanding 4MP recording provides evidentiary level of detail

- **PE133F** – 4MP (2688x1520) @ up to 20fps, 90° (H) field of view, 85ft (25m) IR night vision range
- True Wide Dynamic Range (up to 100dB @ 3MP) provides more accurate detail in high contrast scenes
- IP66 weatherproof rated & cold climate capable (-22°F / -30°C)

QUICK & SECURE REMOTE VIEWING

Remote access via iOS, Android, PC & Mac with FLIR Cloud™

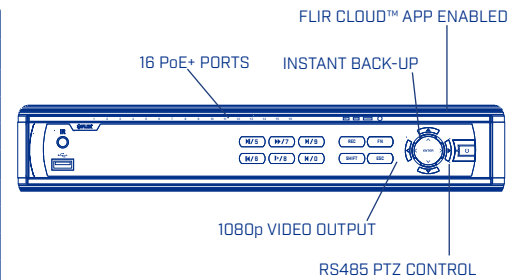
- Set up remote viewing in 3 easy steps: install FLIR Cloud™ app, scan QR code on DVR, and start viewing live video
- Multisite viewing with FLIR Cloud™ CMS for PC & Mac

* Region of Interest function must be configured per camera using a web browser and cannot be configured using the NVR.



Specifications

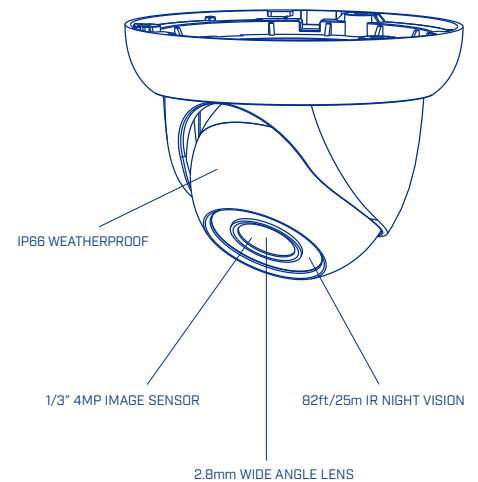
NVR Specifications		DN4163E12/P
System		
Operating System	Linux (embedded)	
Pentaplex	Simultaneous view, record, playback, backup & remote monitoring	
Number of Channels	16	
Inputs/Outputs		
Video IN	16x PoE Video Input	
Video OUT	No	
VGA OUT	Yes	
HDMI	Yes	
Audio IN	1 channel (RCA), supports 2-way audio	
Audio OUT	1 channel (RCA), supports 2-way audio	
USB Port	1 at the back, 1 at the front	
Alarm IN	4 Alarm IN	
Alarm OUT	2 Alarm OUT	
Video Output Resolution	1920x1080 (HDMI), 1280x1024, 1024x768	
PTZ Control	RS-485 Pelco D & P Protocol	
Display		
Live Display	1, 4, 8, 9, 16	
Live Display Speed	480 NTSC, 400 PAL	
OSD	ON/OFF	
System Navigation	USB mouse, IR remote controller, front panel	
Motion Area Setting	Adjustable grid (22x18)	
Sensitivity	100	
Firmware Upgrade	Automatic over the Internet & via USB device / network	
User Authority	By user group	
Time Synchronization	Auto time sync by NTP server	
Recording		
Video Compression	H.264	
Recording Resolution	720p (1280x720) / 1080p (1920x1080) / 3MP (2048x1536) / 4MP (2688x1520)	
Recording Frame Rate	NTSC: 240fps @ 720p / 1080p / 3MP / 4MP PAL: 200fps @ 720p / 1080p / 3MP / 4MP	
Recording Resolution Setting	Per camera for different resolutions	
Recording Quality Control	6 levels	
Recording Schedule	By hour, by day, by recording mode, by motion, by alarm, by channel	
Pre Recording	Max. 30 Seconds	
Post Recording	Max. 5 min / Min. 10 sec	
Reliability	Watch-Dog, auto-recovery after power failure	
Covert Video	Yes	
Playback and Backup		
Playback	1 / 4	
Playback Speed	Variable Max 16x	
Playback Players	Backup Player	
Search	By Time/Date, MD & exact search (accurate to second)	
Log Search	Up to 1,000 lines for motion detected, configuration changes, connects/disconnects and video loss	
Audio Play	Yes (audio cameras required)	
Storage & Archive		
Storage	2 HDDs (SATA)	
Maximum Capacity	Up to 12TB (2x6TB)	
Backup Media	USB flash drive & HDD & network	
Backup File Format	DAV or ASF file	



Specifications

NVR Specifications Cont.		DN4163E12/P
Connectivity		
Cloud Connection	FLIR Cloud™	
Supported Operating Systems	Windows™, Mac OSX	
Remote Software	Client Software (PC) & Safari (Mac)	
Email Notification	Text with snapshot	
Instant Smartphone & Tablet Support	FLIR Cloud™ iPad®, iPhone®, Android™ apps	
DDNS	Free FLIR DDNS	
System Configuration	Full setup configuration over network	
Ports	Programmable by User	
Network Protocol	HTTP, IPv4/IPv6, TCP/IP, UPNP, RTSP, UDP, SMTP, NTP, DHCP, DNS, PPPOE, DDNS, FTP, IP Filter	
Network Interface	10/100-Base-TX, RJ-45	
Network Speed Control	200Mbps total, 48Kb ~ 8192kb/sec. per camera	
NVR General Information		
Power Consumption	Approx. 20 watts (No HDD Installed)	
Supply Voltage	100VAC-240VAC, 12VDC, 2A, 50/60Hz	
Unit Dimensions (W x D x H)	10.5 x 8.0 x 1.8" / 267 x 203 x 46mm	
Unit Weight	4.4lbs / 2.0kg (without HDD)	
Operating Temperature	14° ~ 131° F / -10° ~ 55° C	
Humidity	10 ~ 90% RH	

Camera Specifications	
Image Sensor	1/3" 4MP
Video Format	NTSC / PAL
Effective Pixels	H: 2688 x V: 1520
Image Type	CMOS
Image Readout	Progressive Scan
Day/Night	Auto (ICR) / Color / B/W
Day/Night Delay Adjustment	Yes
Mechanical IR Filter	Yes
Min. Illumination	0.38 lux @ F1.8 (Color) 0.28 lux @ F1.8 (B/W)
S/N Ratio	≥42dB (AGC OFF)
Horizontal Field of View	90°
IR Illumination Range	82ft / 25m
IR Wavelength	850nm
IR ON/OFF Control	Yes
Video Output	IP
Electronic Shutter Range	1/3 (1/4) ~ 1/100,000 seconds
Optical	
Lens Type	Fixed Lens
Lens Mount	Board Type
Iris Type	AES
Focal Length	2.8mm
F-Number	F2.0
Focus	Fixed



Camera Specifications Cont.**Video**

Video Compression	H.264 / MJPEG
Video Streams	H.264 / MJPEG Triple Stream
Resolution Selection	4MP (2688×1520) / 3.7MP (2560×1440) / 3MP (2304×1296) / 1080p (1920×1080) / 720p (1280×720) / D1 (704×576/704×480) / CIF (352×288/352×240)
Aspect Ratio	16:9
Frame Rates (MAX)	4MP @ up to 20fps / 3MP/1080p/720p @ 25/30fps
Bit Rate Control	CBR / VBR
Bit Rate Selection	H.264: 32K ~ 10Mbps
Quality Setting Range (Default)	1-6 (6)
Region of Interest (Selectable Areas)	Yes (4)
Dynamic Range	Up to 100dB
Wide Dynamic Range	True WDR
Backlight Compensation	BLC / HLC
White Balance	Auto / Manual
Gain Control	Auto / Manual
Noise Reduction	3D-DNR
Smart IR	Yes, User Adjustable
Image Stabilization	No
Digital Zoom	10x
Tamper Protection	Yes
Adaptive Lens Correction (ALC)	No
Video Mirroring / Rotation	Horizontal Mirror / Vertical Flip
Video Overlay	Time / Date / Channel / Title / Custom
Window Blanking (Privacy)	Up to 4 Areas
Menu Languages	English

Network

Protocols	IPv4/IPv6, HTTP, HTTPS, SSL, TCP/IP, ARP, UDP, UPnP, ICMP, IGMP, SNMP, RTSP, RTP, RTCP, SMTP, NTP, DHCP, DNS, PPPOE, DDNS, FTP, QoS
ONVIF Conformance	Profile S
RTSP Video	Standard RFC2326, Support QuickTime / VLC Player
Unicast Users	Up to 20
Multicast Users	Up to 20

Mechanical

Construction	Aluminum Alloy
Product Dimensions (W × H)	3.8 × 2.8" / 95 × 51mm
Product Weight	0.65lbs / 0.30kg

Electrical

Network Port	RJ45, 10/100 Base-T
Power Input	12V DC
Power over Ethernet (PoE) Type	PoE (802.3af)
Power Consumption	2.8W MAX
Current Consumption	230mA MAX
Edge Storage	No
Built-in Heater	No
Alarm I/O	No

Environmental

Storage Temperature	-40° ~ 140°F / -40° ~ 60°C
Storage Humidity	>95% RH
Operating Temperature	-22° ~ 140°F / -30° ~ 60°C
Operating Humidity	>95% RH
Cold Start Temperature	-22°F / -30°C
Ingress Protection	IP66

CERTIFICATIONS

Certifications	CE / FCC
----------------	----------

Ordering Information

DN4163E12: 8-41430-01401-0

Package Dimensions

18.1 × 16.3 × 17.3" / 460 × 414 × 439mm

MARKHAM, ONTARIO

FLIR Systems, Inc.
250 Royal Crest Court
Markham, ON L3R 3S1
Canada
PH: +1 866.344.4674

PORTLAND

Corporate Headquarters
FLIR Systems, Inc.
27700 SW Parkway Ave.
Wilsonville, OR 97070
USA
PH: +1 866.477.3687

www.flir.com/security
NASDAQ: FLIR

Equipment described herein may require US Government authorization for export purposes. Diversion contrary to US law is prohibited. Imagery for illustration purposes only. Specifications are subject to change without notice. ©2016 FLIR Systems, Inc. All rights reserved. (Created 03/31/2016)