



DN408P2E6/P

FLIR IP™

FULL HD PoE NVR SYSTEM

The FLIR Full HD PoE NVR System combines powerful high-speed HD recording with six 2.1MP 1080p dome-style cameras to produce a formidable complete security solution. Installation is made simple with integrated PoE and auto-detection of the cameras upon connection. With high capacity 200 Mbps processing, the NVR records at full resolution per channel at real-time.

HIGHER CAPACITY PROCESSING

Real-time recording in Full HD on each channel

- 200 Mbps network bit rate
- Supports HD real-time recording with cameras up to 5MP
- Pentaplex operation - simultaneous View, Record, Playback, Backup & Remote Monitoring

EASY INSTALLATION

Integrated PoE inputs for quick, convenient connection

- 8 integrated PoE ports with PoE+ support
- 120watt total PoE (up to 25w/channel)
- Auto-discovery of FLIR IP Cameras with no programming

HD CAMERAS

A high-res indoor/outdoor camera

- 2.1 MP HD, 1/2.8" CMOS Progressive Scan, 70ft IR
- IP66 weatherproof rated
- True Day/Night with ICR, 2D-DNR, D-WDR

FLIR CLOUD – QUICK & SECURE REMOTE VIEWING

Remote access via iOS, Android, PC / Mac with FLIR Cloud

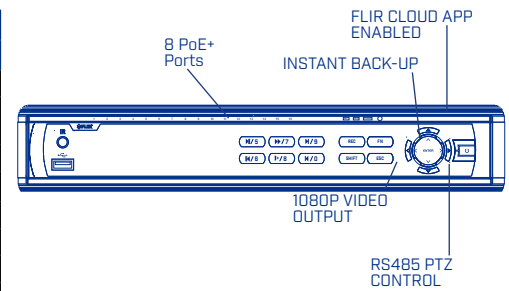
- Set up remote viewing in three easy steps: install FLIR Cloud app, scan QR code on DVR, view live video
- Multisite viewing on FLIR Cloud CMS for PC / Mac
- Cloud platform will offer premium services to receive Video Surveillance as a Service (VSaaS)



FLIR Cloud™

Specifications

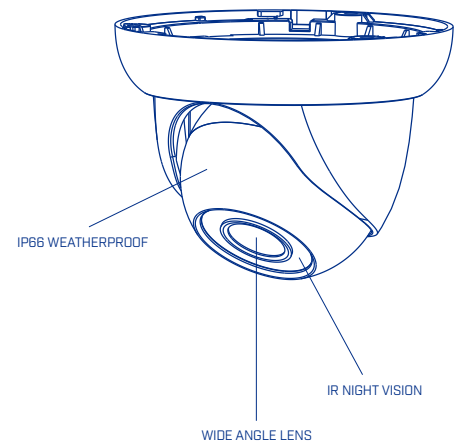
NVR Specifications		DN408P2E6 / DN408P2E6P
System		
Operating System	Linux (embedded)	
Pentaplex	Simultaneous view, record, playback, backup & remote monitoring	
Number of Channels	8 Channels	
Inputs/Outputs		
Video IN	8 PoE Video Input	
Video OUT	No	
VGA OUT	Yes	
HDMI	Yes	
Audio IN	1 Line IN (RCA) for 2-way audio	
Audio OUT	1 Line OUT (RCA) for 2-way audio	
USB Port	1 at the back, 1 at the front	
Alarm IN	4 Alarm IN	
Alarm OUT	2 Alarm OUT	
Video Output Resolution	1920x1080, 1280x1024, 1280x720, 1024x768	
PTZ Control	RS-485, supports Pelco-D and Pelco-P	
Display		
Live Display	1,4,8	
Live Display Speed	240 NTSC, 200 PAL	
OSD	ON/OFF	
System Navigation	USB mouse, IR remote controller, front panel	
Motion Area Setting	Adjustable grid (22x18)	
Sensitivity	Levels 100	
Firmware Upgrade	Automatic over the Internet & via USB device and network	
User Authority	By user group	
Time Synchronization	Auto time sync by NTP server	
Recording		
Compression	H.264	
Recording Resolution*	720P (1280x720), 1080P (1920x1080), 3MP (2028x1536), 5MP (2560x1920)	
Record Rate	NTSC: 240FPS @ 720P / 1080P / 3MP / 5MP PAL: 200FPS @ 720P / 1080P / 3MP / 5MP	
Recording Quality Control	6 levels	
Recording Schedule	By hour, by day, by recording mode, by motion, by channel	
Pre Recording	Max. 30 Seconds	
Post Recording	Max. 5 Minutes	
Reliability	Watch-Dog, auto-recovery after power failure	
Covert Video	Yes	
Playback and Backup		
Playback Channel	1/4	
Playback Speed	Variable Max 16x	
Playback Players	Backup Player	
Search	By time & event	
Log Search	Up to 1,000 lines for motion detected, configuration changes, connects/disconnects and video loss	
Audio Play	Yes (audio camera required)	
Storage & Archive		
Storage	Up to 2 HDD's (SATA)	
Playback Speed	Up to 2x4TB	
Playback Players	Backup Media USB flash drive & HDD	
Search	DAV or ASF file	



* 1080p MPX cameras are required to take advantage of 1080p recording. You may need to upgrade the DVR firmware to enable 1080p recording.

Specifications

NVR Specifications Cont.	
Connectivity	
Cloud Connection	FLIR Cloud™
Supported Operating Systems	Windows™, Mac OSX
Remote Software	Client Software (PC/Mac)
Email Notification	Text with snapshot
Instant Smart Phone & Tablet Support	iPad®, iPhone®, Android™
DDNS Free	FLIR DDNS
System Configuration	Full setup configuration over network
Ports	Programmable by User
Network Protocol	HTTP, IPv4/IPv6, TCP/IP, UPNP, RTSP, UDP, SMTP, NTP, DHCP, DNS, PPPOE, DDNS, FTP, IP Filter
Network Bit Rate	200Mbps total, 48~8192kbps per camera
Network Protocol	HTTP, IPv4/IPv6, TCP/IP, UPNP, RTSP, UDP, SMTP, NTP, DHCP, DNS, PPPOE, DDNS, FTP, IP Filter
IP Cameras Supported	FLIR, Digimerge, Panasonic, Sony, Dynacolor, Samsung, AXIS, Arecont, Bosch, Canon, Honeywell, Pelco, Panasonic, Vivotek
NVR General Information	
Power Consumption	Approx. 20 watts (No HDD Installed)
Supply Voltage	100VAC-240VAC, 50/60Hz
Total PoE Power Output (across all channels)	120W (Max 25W per Camera)
Unit Weight	2.0kg / 4.4lbs
Dimensions (W x H x D)	267mm x 203mm x 46mm / 10.5" x 8.0" x 1.8"
Operating Temperature	14° ~ 131° F / -10° ~ 55° C
Humidity	10 ~ 90% RH
Camera Specifications	
N133ED	
Imaging Device	2.1MP 1/3"
Effective Pixels	1920 (H) x 1080 (V)
Image Type	CMOS
Image Readout	Progressive Scan
Day / Night	Auto(ICR)/Color/B/W
Mechanical IR Cut Filter	Yes
Min. Illumination	0.1lux (Color) 0.01lux (B/W)
S/N Ratio	>50dB
Field of View (H)	64°
IR Illumination	Yes, 850nm
IR On / Off Control	Yes
Video Output	RJ45
Electronic Shutter Range	1/4 - 1/10000s
Optical	
Lens Type	Fixed
Mount Type	Board type
Focal Length	3.6mm
Aperture	F1.8



Camera Specifications Cont.

Video

Video Compression	MJPEG / H.264
Video Streams	H.264 & MJPEG Dual Stream
Resolution Selection	1080p (1920x1080) / 720P (1280x720) / D1 (704x576/704x480) /CIF (352x288/352x240)
Aspect Ratio	16 : 9
Frame rates (Maximum)	1080p / 720p / D1 / CIF @ 30/25 fps
Bit Rate Control	CBR / VBR
Bit Rate Selection	Compression Type: 56K~ 8129Kbps
Wide Dynamic Range	Digital WDR
Backlight Compensation	BLC / HLC / DWDR
White Balance	Auto / Manual
Gain Control	Auto / Manual
Noise Reduction	2D
Video Mirroring	Horizontal Mirror
Video Overlay	Time / Date / Camera / Custom
Window Blanking (Privacy)	Up to 4 Areas
Menu Languages	English

Network

Protocols	IPv4 / IPv6, HTTP, HTTPS, SSL, TCP / IP, UDP, UPnP, ICMP, IGMP, SNMP, RTSP, RTP, SMTP, NTP, DHCP, DNS, PPPOE, DDNS, FTP, IP Filter, QoS, Bonjour
ONVIF Conformance	Profile S (v2.1)
Users	Up to 20 users

Mechanical

Product Dimensions (LxWxH)	Φ108mm x 86mm
Product Weight	0.4kg

Electrical

Network Port	10 / 100 Base-T
Power Input	12V DC, PoE
Power Consumption (Maximum)	3W
Current Consumption (Maximum)	250mA

Environmental

Operating Temperature	-30°C ~ 60°C
Operating Humidity	Less than 95% RH
Ingress Protection	IP66

MARKHAM, ONTARIO

FLIR Systems, Inc.
250 Royal Crest Court
Markham, ON L3R 3S1
Canada
PH: +1 866.344.4674

PORTLAND

Corporate Headquarters
FLIR Systems, Inc.
27700 SW Parkway Ave.
Wilsonville, OR 97070
USA
PH: +1 866.477.3687

Ordering Information

DN408P2E6: 8-41430-01107-1
DN408P2E6P: 8-41430-01146-0

Package Dimensions

18 x 11.7 x 17.3" / 459 x 296 x 438mm

www.flir.com/security
NASDAQ: FLIR

Equipment described herein may require US Government authorization for export purposes. Diversion contrary to US law is prohibited. Imagery for illustration purposes only. Specifications are subject to change without notice. ©2016 FLIR Systems, Inc. All rights reserved. (Created 06/23/2016)