



C237ED/ C237EDP
2.1MP HD Motorized Varifocal
WDR Dome MPX Camera



C237BD / C237BD1 / C237BDP / C237BD1P
2.1MP HD Motorized Varifocal
WDR Bullet MPX Camera

FLIR MPX™

MPX Motorized Varifocal Cameras

The FLIR 2.1MP HD Motorized Varifocal WDR Dome and Bullet MPX cameras use the latest HD-CVI technology and True WDR to deliver outstanding 1080p picture quality over coax cabling in any lighting condition. Ideal for retrofit applications, C237ED / C237BD are compatible with FLIR MPX DVRs offering a hassle-free upgrade to HD resolution plus the added advantage of remote zoom and focus control via the DVR or web interface. Dual video output offers simultaneous HD and 960H video streams.

HD PICTURE QUALITY

Outstanding image detail, both day and night

- C237ED - 2.1MP HD, 1080p @ 25/30 FPS, 1/2.8" CMOS, 2.8-12mm Motorized Varifocal lens, 100ft / 30m IR
- C237BD - 2.1MP HD, 1080p @ 25/30 FPS, 1/2.8" CMOS, 2.8-12mm Motorized Varifocal lens, 115ft / 35m IR
- C237BD1 - 2.1MP HD, 1080p @ 25/30 FPS, 1/2.8" CMOS, 6-22mm Motorized Varifocal lens, 115ft / 35m IR

EASY INSTALLATION

Upgrade to HD without the expense of re-cabling

- Dual BNC output – MPX 1080p / 960H Analog
- Cable pass-through bracket design
- Remote zoom and focus adjustment

SUPERIOR PERFORMANCE

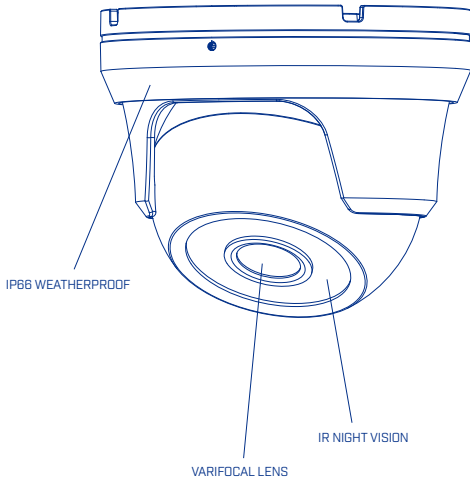
Virtually no latency, extended cable runs up to 1650ft/500m

- IP66 weatherproof rated housings
- -22°F (-30°C) Cold Climate Capable

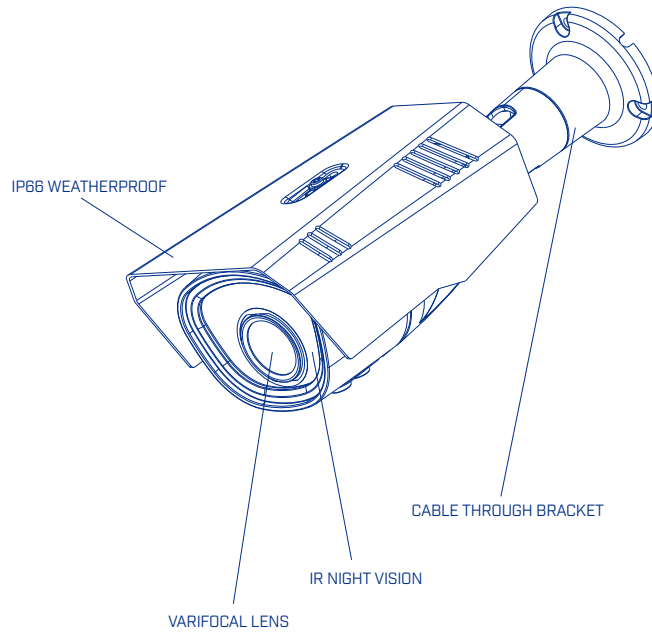
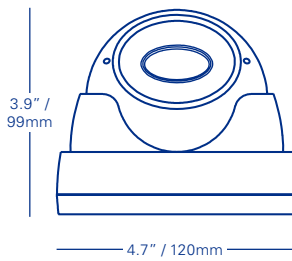
Specifications

Camera	C237ED	C237BD	C237BD1
Imaging Device	1/2.8" - 2.1MP Exmor™	1/2.8" - 2.1MP Exmor™	1/2.8" - 2.1MP Exmor™
Effective Pixels	H: 1920 V: 1080	H: 1920 V: 1080	H: 1920 V: 1080
Image Type	CMOS	CMOS	CMOS
Image Readout	Progressive Scan	Progressive Scan	Progressive Scan
Day/Night	Y	Y	Y
Mechanical IR Cut Filter	Y	Y	Y
Min. Illumination	0.1 Lux @ F1.4 (Color)	0.1 Lux @ F1.4 (Color)	0.1 Lux @ F1.4 (Color)
S/N Ratio	≥50dB (AGC OFF)	≥50dB (AGC OFF)	≥50dB (AGC OFF)
Horizontal Field of View	MPX: 34-90° 960H: 32-84°	MPX: 34-90° 960H: 32-84°	MPX: 17-36° 960H: 15-34°
IR Illumination Range	100ft/30m	115ft/35m	115ft/35m
IR Wavelength	840~850nm	840~850nm	840~850nm
IR On/Off Control	N	N	N
Video Output	BNC (1080p MPX, Digital) BNC (960H, Analog)	BNC (1080p MPX, Digital) BNC (960H, Analog)	BNC (1080p MPX, Digital) BNC (960H, Analog)
Electronic Shutter Range	1/60 (1/50) ~ 1/60,000	1/60 (1/50) ~ 1/60,000	1/60 (1/50) ~ 1/60,000
Optical			
Lens Type	Board Type	Board Type	Board Type
Focal Length	2.8-12mm	2.8-12mm	6-22mm
F-Number	F1.4	F1.4	F1.4
Zoom	Y - Motorized	Y - Motorized	Y - Motorized
Iris Control Type / Adjustment	Electronic / Auto or Manual	Electronic / Auto or Manual	Electronic / Auto or Manual
Video			
Frame rates	25/30fps	25/30fps	25/30fps
Backlight Compensation	BLC / HLC	BLC / HLC	BLC / HLC
Wide Dynamic Range	True WDR	True WDR	True WDR
White Balance	Auto / ATW / Preset / Manual	Auto / ATW / Preset / Manual	Auto / ATW / Preset / Manual
Gain Control	AGC - 0-20 Selectable	AGC - 0-20 Selectable	AGC - 0-20 Selectable
Noise Reduction	2D/3D - Low/Mid/High Selectable	2D/3D - Low/Mid/High Selectable	2D/3D - Low/Mid/High Selectable
Window Blanking	Y - 15 Zone Selectable	Y - 15 Zone Selectable	Y - 15 Zone Selectable
Menu Languages	English, German, French, Spanish, Russian, Polish, Italian, Portuguese	English, German, French, Spanish, Russian, Polish, Italian, Portuguese	English, German, French, Spanish, Russian, Polish, Italian, Portuguese
Mechanical			
Construction	Aluminum Alloy	Aluminum Alloy	Aluminum Alloy
Product Dimensions (Diag x H)	4.7" x 3.9" / 120mm x 99mm	3.9" x 3.5" x 10.6" / 99mm x 89mm x 269mm	3.9" x 3.5" x 10.6" / 99mm x 89mm x 269mm
Product Weight	1.4lbs / 0.6kg	1.7lbs / 0.8kg	1.7lbs / 0.8kg
Electrical			
Power Input	12V DC / 24V AC	12V DC / 24V AC	12V DC / 24V AC
Power Consumption	8W	15W	15W
Current Consumption	500mA (12V) / 315mA (24V)	700mA (12V) / 585mA (24V)	700mA (12V) / 585mA (24V)
Built-in Heater	N	N	N
Alarm I/O	N	N	N
Environment			
Operating Temperature	-22°F - 122°F / -30°C - 60°C	-22°F - 122°F / -30°C - 60°C	-22°F - 122°F / -30°C - 60°C
Operating Humidity	≤85% RH	≤85% RH	≤85% RH
Ingress Protection	IP66	IP66	IP66
Vandal Resistance	N	N	N
Certifications			
Certifications	FCC, CE, ROHS	FCC, CE, ROHS	FCC, CE, ROHS

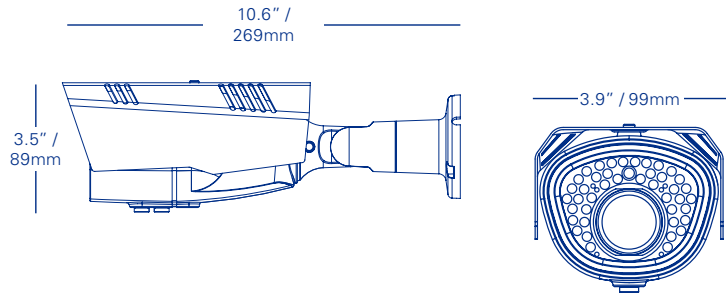
* Remote Zoom/focus adjustment through DVR when using MPX video output only. No remote zoom/focus control supported through standard analog video output. Instead, OSD controller can be utilized during setup for zoom/focus adjustment.



Dimensions



Dimensions



Ordering Information

- C237ED: 8-41430-01063-0
- C237EDP: 8-41430-01207-8
- C237BD: 8-41430-01208-5
- C237BD1: 8-41430-01233-7
- C237BDP: 8-41430-01208-5
- C237BDP1: 8-41430-01253-5

Package Dimensions

- C237ED Series: 6.4 x 6.1 x 4.9" / 162 x 155 x 125mm
- C237BD Series: 9.6 x 5.8 x 5.2" / 245 x 148 x 132mm

MARKHAM, ONTARIO

FLIR Systems, Inc.
 250 Royal Crest Court
 Markham, ON L3R 3S1
 Canada
 PH: +1 866.344.4674

PORTLAND

Corporate Headquarters
 FLIR Systems, Inc.
 27700 SW Parkway Ave.
 Wilsonville, OR 97070
 USA
 PH: +1 866.477.3687

www.flir.com/security
 NASDAQ: FLIR

Equipment described herein may require US Government authorization for export purposes. Diversion contrary to US law is prohibited. Imagery for illustration purposes only. Specifications are subject to change without notice. ©2015 FLIR Systems, Inc. All rights reserved. [Created 05/06/15]