

FLIR MPX™

MPX Eyeball Dome Cameras



C233EC / C233ECP
1.3MP HD Fixed WDR Dome MPX Camera



C233ED / C233EDP
2.1MP HD Fixed WDR Dome MPX camera

The FLIR 1.3MP/2.1MP HD Fixed WDR Dome MPX cameras use the latest HDCVI technology and True WDR to deliver excellent 720p/1080p picture quality over coax cabling in any lighting condition. Ideal for retrofit applications, the cameras are compatible with FLIR MPX DVRs offering an upgrade to HD resolution without the hassle of running new cables. Dual video output offers simultaneous HD and 960H video streams.

HD PICTURE QUALITY

720p/1080p HD picture quality over existing coax

- C233EC – 1.3MP HD, 720p @ 25/30 FPS, 1/3" CMOS, 3.6mm lens, 70ft / 21m IR
- C233ED – 2.1MP HD, 1080p @ 25/30 FPS, 1/2.8" CMOS, 3.6mm lens, 70ft / 21m IR

EASY INSTALLATION

Upgrade to HD without the expense of re-cabling

- Dual BNC output – MPX 720P/1080p and 960 Analog
- Wall / Ceiling mountable

SUPERIOR PERFORMANCE

Virtually no latency, extended cable runs up to 2296ft / 700m

- IP66 weatherproof rated
- -22°F (-30°C) Cold Climate Capable

Specifications

Camera	C233EC / C233ECP	C233ED / C233EDP
Imaging Device	1/3" Exmor™	1/2.8" Exmor™
Effective Pixels	1305 (H) x 1049 (V)	1984 (H) x 1105 (V)
Image Type	CMOS	
Image Readout	Progressive Scan	
Day/Night	Y	
Mechanical IR Cut Filter	Y	
Min. Illumination	0.1 Lux @ F1.2 (Color)	
S/N Ratio	≥50dB (AGC OFF)	50dB (AGC OFF)
Horizontal Field of View	78° (MPX / 960H)	88° (MPX) / 82° (960H)
IR Illumination Range	70ft / 21m	
IR Wavelength	840~850nm	
IR On/Off Control	N	
Video Output	BNC (720p MPX, Digital) BNC (960H, Analog)	BNC (1080p MPX, Digital) BNC (960H, Analog)
Electronic Shutter Range	1/60 (1/50) ~ 1/60,000	1/30 (1/25) ~ 1/60,000
Optical		
Lens Type	Board Type	
Focal Length	3.6mm	
F-Number	2.0	
Zoom	N	
Iris Control Type / Adjustment	Electronic / Auto or Manual	
Video		
Frame rates	25/30fps	15/25/30 FPS*
Backlight Compensation	BLC / HLC	
Wide Dynamic Range	True WDR	
White Balance	Auto / ATW / Preset / Manual	
Gain Control	AGC - 0-20 Selectable	
Noise Reduction	2D/3D - Low/Mid/High Selectable	
Window Blanking	Y - 15 Zone Selectable	
Menu Languages	English, German, French, Spanish, Russian, Polish, Italian, Portuguese	
Mechanical		
Construction	Aluminum Alloy	
Product Dimensions (W x H)	3.7" x 2.5" 93mm x 64mm	
Product Weight	0.9lbs / 0.4kg	
Electrical		
Power Input	12V DC	
Power Consumption	5W	
Current Consumption	350mA	380mA
Built-in Heater	N	
Alarm I/O	N	
Environment		
Operating Temperature	-22°F - 122°F / -30°C - 60°C	
Operating Humidity	≤85% RH	
Ingress Protection	IP66	
Vandal Resistance	N	
Certifications		
Certifications	FCC, CE, ROHS	

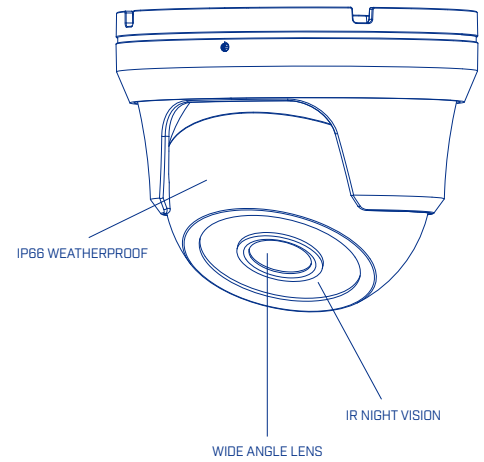
* 15FPS with WDR on

Ordering Information

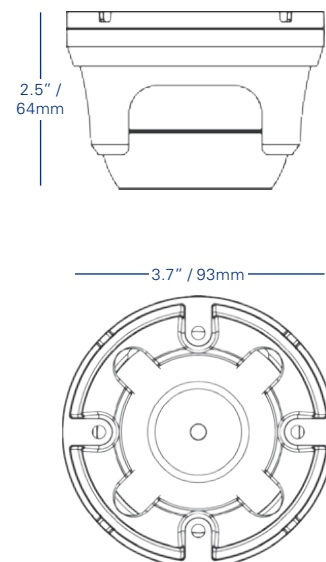
C233EC: 8-41430-01057-9
 C233ED: 8-41430-01061-6
 C233ECP: 8-41430-01115-6
 C233EDP: 8-41430-01206-1

Package Dimensions

C233EC/ C233ECP: 4.8 x 4.5 x 4.2" /
 122 x 113 x 107mm
 C233ED/ C233EDP: 4.8 x 4.5 x 4.2" /
 122 x 113 x 107mm



Dimensions



MARKHAM, ONTARIO

FLIR Systems, Inc.
 250 Royal Crest Court
 Markham, ON L3R 3S1
 Canada
 PH: +1 866.344.4674

PORTLAND

Corporate Headquarters
 FLIR Systems, Inc.
 27700 SW Parkway Ave.
 Wilsonville, OR 97070
 USA
 PH: +1 866.477.3687

www.flir.com/security
 NASDAQ: FLIR

Equipment described herein may require US Government authorization for export purposes. Diversion contrary to US law is prohibited. Imagery for illustration purposes only. Specifications are subject to change without notice. ©2016 FLIR Systems, Inc. All rights reserved. [Created 02/23/16]