

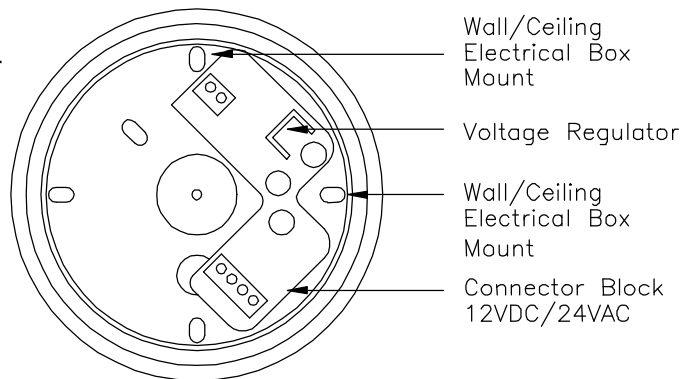
EX45 Hi-Impact Dome Camera

The EX45 Hi-Impact Dome is hammer tough, weather tight, and power protected. An attractive finish of anodized aluminum makes this very rugged camera the choice for elegant hotels (eg. Chateau Whistler, BC) and tough schools (eg. Los Angeles High Schools).

For its exterior, there is a thick anodized CNC machined aluminum base, an impact resistant polycarbonate dome, and an anodized retaining ring that locks the dome in place while providing continuous rigidity against impact forces. For its interior, a voltage regulator board allows 12 VDC or 24 VAC operation while providing protection from over voltages, transient spikes and improper electrical installations. The EX45 is available in high resolution monochrome and color models.



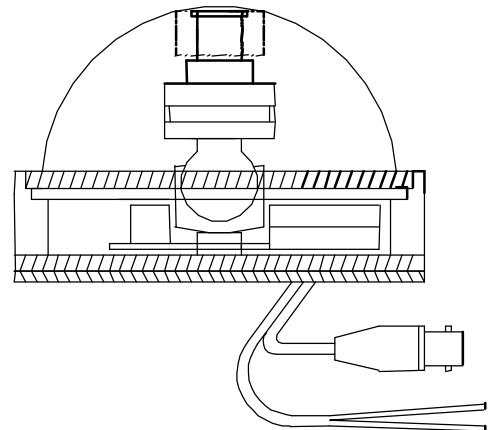
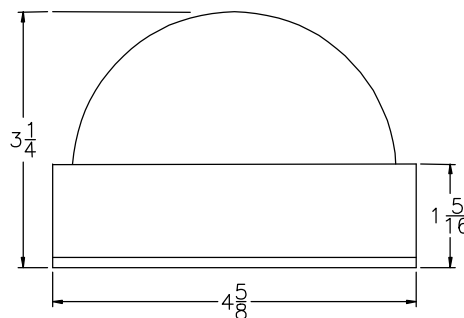
The EX45 is designed to mount over a single gang box to provide a flush appearance while leaving room inside the electrical box for installing modulators, power supplies, telemetry or video storage devices. The impact resistant dome can also be surface installed in minutes to all interior and exterior walls and ceilings.



Applications:

- * **Schools**
 - * **Access Control**
 - * **Home Automation**
 - * **Transit Vehicles**
 - * **Public Buildings**
 - * **Indoor / Outdoor**
- * **Prisons**
 - * **Retail**
 - * **Hotels**
 - * **Hospitals**
 - * **Industrial**
 - * **Commercial**

A patent (applied) ball joint design allows full rotation of the CCD camera head for positioning in any direction. Pre-harnessed wiring allows for plug & play with simple BNC and 2.1 mm power jack connectors.



Dealer / Distributor :

Derwent Extreme Technologies Inc.

Global HQ: www.ExtremeCCTV.com

USA / Canada: 4060 McConnell Drive, Burnaby, BC Canada V5A 3A8
Toll Free N.A. 888-409-2288 Tel. +1.604.533.6644 Fax +1.604.533.7800

EX45 General Specifications (Other CCD Models available)

Model	EX45C.304 (DSP Color w/BLC)	EX45S.304 (Backlight)
TV System	NTSC (PAL optional)	EIA (CCIR optional)
Image Sensor	1/3" CCD Color DSP Image Sensor	1/3" CCD Sony Image Sensor
Video Signal Output	1 V p-p, 75 ohm	1 V p-p, 75 ohm
CCD Effective Pixels	510 (H) x 492 (V) – NTSC	510 (H) x 492 (V)
Sync. System	Internal	Internal
Min. Illumination	3 lux @ F1.4 / 6 lux @ F2.0	0.05 lux @ F1.4 / 0.1 lux @ F2.0
Resolution	350 TV lines	420 TV Lines
S/N Ratio	>46 dB	>50 dB
Electronic Shutter	1/60 to 1/100,000 – NTSC	1/60 to 1/100,000 – NTSC
Gamma Correction	0.45	0.45
Backlight Compensation	Automatic	Manual Switch
Gain Control	AGC	AGC
Operational Range	-40°C to +50°C (-40°F to 122°F)	-40°C to +50°C (-40°F to 122°F)
Humidity Range	Up to 85% relative humidity	Up to 95% relative humidity
Power Supply	DC 12-24V DC or AC	DC 12-24V DC or AC
Power Draw	220 mA (Max.)	100 mA (Max.)
Lens (standard)	3.6mm, F2.0 wide angle lens	3.6mm, F1.8 wide angle lens
Lenses (Optional)	2.5 / 2.9 / 6.0 / 8.0 / 12 / 16 mm	2.5 / 2.9 / 6.0 / 8.0 / 12 / 16 mm
Dome	Polycarbonate	Polycarbonate
Base / Ring	CNC Aluminum Anodized (6061 T6)	CNC Aluminum Anodized (6061 T6)
Dimensions	4.6" (118 mm) dia / 3.25" (83 mm) H	4.6" (118 mm) dia / 3.25" (83 mm) H
Weight	1.0 lbs (454g)	1.0 lbs (454g)
Line Lock / Gen Lock	Available	Available

Part Numbers:
Standard Monochrome

EX45S.3xx Monochrome, Sony CCD 420 line w/ BLC, 12/24 VRB / micro-lens
 EX45S.6xx Monochrome, Sony CCD 600 line, 12/24 VRB / micro-lens

Standard Color

EX45C.3xx Color DSP, 1/3" CCD 350 line w/ BLC, 12/24 VRB / micro-lens
 EX45C.7xx Color DSP, 1/3" CCD 480 line w/BLC, 12/24 VRB / micro-lens

Monochrome with Integrated Infrared (24 LEDs)

EX45N.83xx Night Vision - Monochrome, Sony CCD 420 line w/ BLC, 12/24 VRB / micro-lens, 850 nm/ 24 LEDs
 EX45N.93xx Night Vision - Monochrome, Sony CCD 420 line w/ BLC, 12/24 VRB / micro-lens, 940 nm/ 24 LEDs
 IRPC1.0 Photocell Control Board

XX – Specifies lens provided at time of order

02 - 2.5 mm **04** - 3.6 mm **08** - 8.0 mm **16** - 16.0mm
03 - 2.9 mm **06** - 6.0 mm **12** - 12.0 mm

Options:

EXPS.001 Power Supply, 12 VDC, 1.0 amp, w/ 2.1 mm plug connector
EXPS.002 Power Supply, 12 VDC, 0.5 amp, w/ 2.1 mm plug connector
EXAM.100 Microphone Module with Pre-Amp

Dealer / Distributor :

Derwent Extreme Technologies Inc.
Global HQ: www.ExtremeCCTV.com

USA / Canada: 4060 McConnell Drive, Burnaby, BC Canada V5A 3A8
Toll Free N.A. 888-409-2288 Tel. +1.604.533.6644 Fax +1.604.533.7800