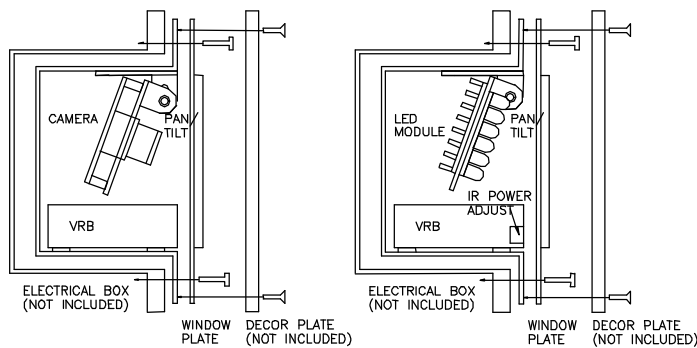
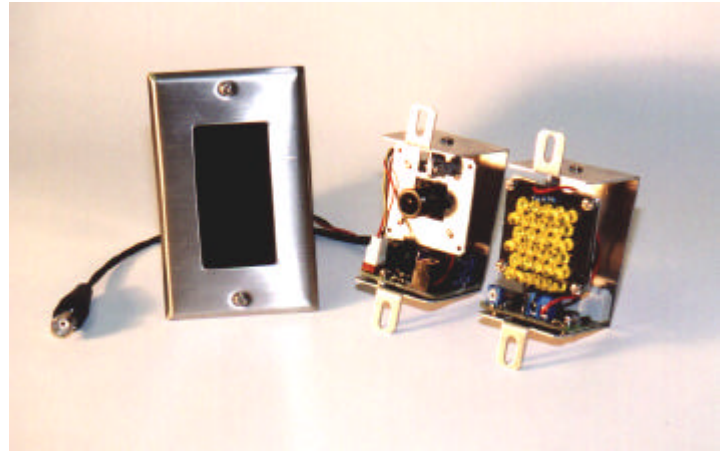


EB Series

Electrical Box Camera: EB-S300

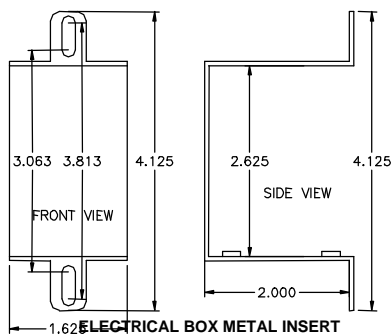
Electrical Box Infrared: EB-IR

The EB Series of cameras and illuminators allows very effective day/night surveillance for access control enhancement. The EB-S300 camera is IR Optimized for excellent low light and no-light performance in the infrared. The unique simple-to-install camera is fitted with pan/tilt adjustable hardware. All lenses from 2.5 mm to 16 mm are possible, and the spike protecting regulator board allows for 12 vdc or 24 vac input power. A dark red optical screen makes this camera effectively discreet. The EB-IR is a unique infrared illuminator comprising of 32 high efficiency LEDs at 850 nm or 940 nm. A variable resistor operates as a “dimmer switch” to allow the installer to control the light to optimize the picture required at the distance desired. The EB-IR is also pan/tilt adjustable. Picture performance from 1 foot to 20 feet can be expected.



EB-S300 CAMERA

EB-IR850 / EB-IR940



EB-IR Series Infrared Illuminator

Features:

- 30 High Efficiency LEDs
- Easy fit to single gang boxes
- Décor style optical window
- 850 nm and 940 nm options
- Voltage Regulator equipped
- 12 VDC or 24 VAC operation
- Less than 0.5 amp at 12 volts
- Elevated LEDs for individual directional control
- Pan/Tilt for full head control
- 30 foot (10 m) performance in total darkness (at 850 nm).
- Control “Pot” acts as a dimmer for light optimization
- Easy Installation

Dealer / Distributor :

Derwent Extreme Technologies Inc.
Global HQ: www.ExtremeCCTV.com

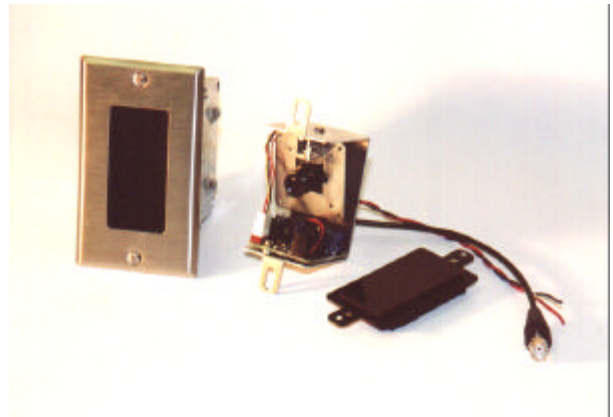
USA / Canada: 4060 McConnell Drive, Burnaby, BC Canada V5A 3A8
Toll Free N.A. 888-409-2288 Tel. +1.604.533.6644 Fax +1.604.533.7800

EB Series

Electrical Box Camera: EB-S300

Electrical Box Infrared: EB-IR

The EB-IR operates at 850 nm or 940 nm, incorporating 30 high-efficiency LEDs that are each elevated above its PCB to allow for individual directional control. Each EB Series product includes an electrical box metal insert and a metal framed Décor style optical window. (The Décor cover plate and the electrical gang box are not included).



Applications:

- Close-Up, "in your face"
- Day/Night Surveillance
- Access Control Integration
- Video Verification
- Home Automation
- ATM Bank Machines

Part Numbers:

Illuminators:

EB-IR850 850 nm / 30 LEDs
EB-IR940 940 nm / 30 LEDs

Cameras:

EB-S3xx EB-S300 camera

Note: xx =
02 for 2.5 mm lens
03 for 2.9 mm lens
04 for 3.6 mm lens
05 for 4.3 mm lens
06 for 6.0 mm lens
08 for 8.0 mm lens

Optional Items:

PCEB1.0 Photocell for Elect.Box
EXPS.002 12 VDC Power Supply



Note: These are unretouched digital video stills. Actual camera resolution is better.

Top Left:

A typical daytime scene with ample fluorescent lighting clearly shows Sylvia about to switch off the lights

Middle:

With the lights off, all of the details are lost. Sylvia's silhouette is seen only because of the light leakage coming through the door.

Bottom:

The same dark scene is uncovered with one EB-IR 850 nm infrared illuminator. Because the S300 CCD camera used is IR Optimized, only 6 watts of energy is required to create this high signal – low noise picture. All of the same detail expected in a daytime photo is now seen under infrared reflectance.

Dealer / Distributor :