

▶▶▶ Data sheet | e-Primo iButton e-Cylinder

EVVA's e-Primo Cylinder is the ideal cost-effective solution for a master key system with electronically controlled locking and release. Media are programmed at the e-Primo Cylinder.



System & Technology

- ▶ The maintenance-free iButton identification technology is very robust and easy to use
- ▶ User keys are stored or deleted using programming keys
- ▶ Lost user keys can be deleted using associated delete keys
- ▶ Lost programming keys can be deleted using associated delete keys
- ▶ The different function keys can switch cylinders to diverse locking modes

Functional Characteristics

- ▶ System intuitively operated due to the central position of the reader unit
- ▶ The rotary thumb turn on the outside is engaged by using authorised identification media, thus enabling the lock to be locked or released
- ▶ The thumb turn's ergonomic design is suitable for use on metal frame doors
- ▶ Acoustic and optical feedback signal provides easy guidance for users

Security Features

- ▶ The battery is housed in the inside thumb turn, thus protected against vandalism and tampering
- ▶ Emergency opening using an emergency opening device
- ▶ Authorisation data not lost when battery is replaced
- ▶ "Battery low" is indicated in good time

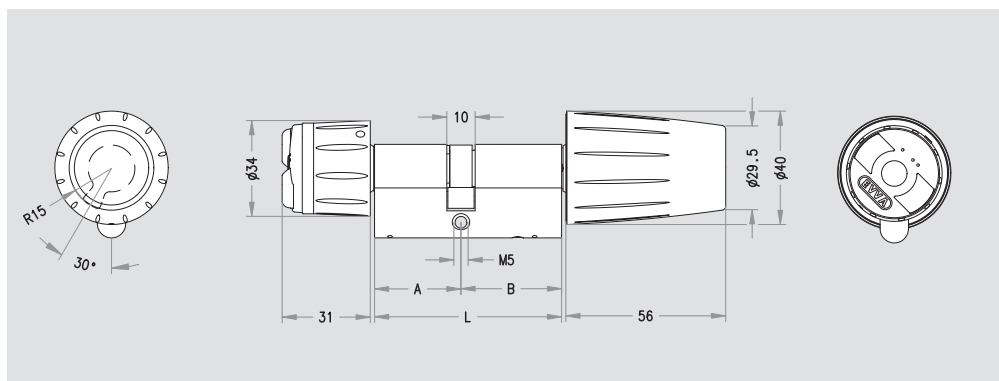
Installation & Operation

- ▶ No wiring on the door
- ▶ Easy installation by removing the outside thumb turn (Euro profile and UK oval profile)
- ▶ Only commercially available standard batteries are used in the inside thumb turn
- ▶ Existing mortise locks can continued to be used - subject to technical checks
- ▶ There are varying surface designs to suit the surrounding decor

Technical data

Designs* with product codes

Power supply:	1 CR 123A lithium standard battery (Panasonic)	
Humidity:	up to 90% without condensation	
Operational conditions:	minimum backset of 25 mm is possible, depending on the door rebate	
Protection rating:	IP54	
Included in delivery:	1 standard lithium battery 1 M5x60 cylinder fixing screw 1 set of installation instructions/operating instructions 1 ZTOOL1, a special Allen key for e-cylinders	
Ordering information:	System, profile, outside cylinder length, inside cylinder length, surface, cam, panic function, extended outside thumb spindle	
Profile system:	E Euro profile R Swiss round profile RP22 U UK oval profile	
Cylinder lengths:	A = outside/B = inside; shortest length 27 mm; can be extended in 5 mm intervals as from 31 mm without any length restrictions: with panic function between 31–66 mm	
Outside thumb turn shape:	F finely fluted (standard) K thumb turn for greater torque	
Surfaces:	NI Matt nickel (stainless steel finish)	CRMatt chrome
	CP Polished chrome	MP Polished brass
	PS Black patina	PB Brown patina
Cam:	S DIN cam for Euro profile R RP22 cam for Euro profile and RP22 U UK cam for UK oval profile B Double cam (Biffar) for Euro profile W 10-tooth cog wheel cam for Euro profile and RP22 G 18-tooth cog wheel cam for Euro profile	
Panic function depends on lock type (available for Euro profile / UK oval; RP22 in pipeline):	0 without 1-5 Panic function 1-5	
Ext. outside thumb turn spindle:	0 without extension 1 5 mm for lengths of 31 mm and above; 3 mm for lengths of 27 mm 2 10 mm for lengths of 31 mm and above; 8 mm for lengths of 27 mm	
Light ring colour:	T Clear transparent (standard)	
Thumb turn cover colour:	B Black (standard)	
Colours for contacts:	N Nickel (standard) M Brass appearance	



Accessories

XMP00EPD:	Emergency power device
-----------	------------------------

* Please note design limitations

Subject to change in the case of technical modifications or misprints.