



LEADERS in HIGH SENSITIVITY LOW LIGHT LEVEL CCTV TECHNOLOGY



INDOOR OUTDOOR

«EVS» cameras are available as either standard «VNC» units as below or as custom built in waterproof housings with heated visors as above. Standard «VNC» cameras can of course be fitted into any external housing.

These «external» cameras and are prefixed «VNN», all models are available in this external configuration.

Also the less expensive «VNP» model with M12 lenses are available.

«EVS» has succeeded in achieving unprecedented levels of sensitivity in it's CCD based range of CCTV cameras. This is accomplished by special processing of the video-signal directly inside the CCD. The simultaneous use of in-frame video-signal processing resulting in «EVS NIGHT MODE №1».

This technology produces an increase in sensitivity of up to 600 times more, than when compared to standard CCD levels. «EVS» has achieved a record value for CCD cameras (model «VNC-702») of 0.00004 Lux. Due to these special video-signal processing modes, the sensitivity of «EVS» cameras far surpasses those of other manufacturers.

In most circumstances «EVS» night spy cameras are able to provide night time surveillance without any form of artificial lighting, either visible or invisible.

Special «EVS» video-signal processing ensures a higher level of sensitivity than that of the products of other manufacturers. «EVS» cameras provide high quality images of moving objects at night.

The combination of «EVS» technology, ExWave HAD CCDs and aspherical lenses produces sensitivity equivalent to night vision devises of 2nd & 2nd generation plus

- Designed for use in conditions of very low light.
- Adaptive definition correction improves clarity of fine detail.
- Automatic activation of night mode in low light conditions.
- Two step AGC system raises contrast of images in low light.
- Lens Types – C or CS lens mount – Direct or VS Drive

2 YEAR WARRANTY ON ALL CAMERAS

EVS CAMERAS LTD
P.O. Box 499
Hemel Hempstead HP1 3XP
Tel: 01442 405 518
Fax: 01442 269 239
E-mail: sales@evscam.com
Web: www.evscam.com

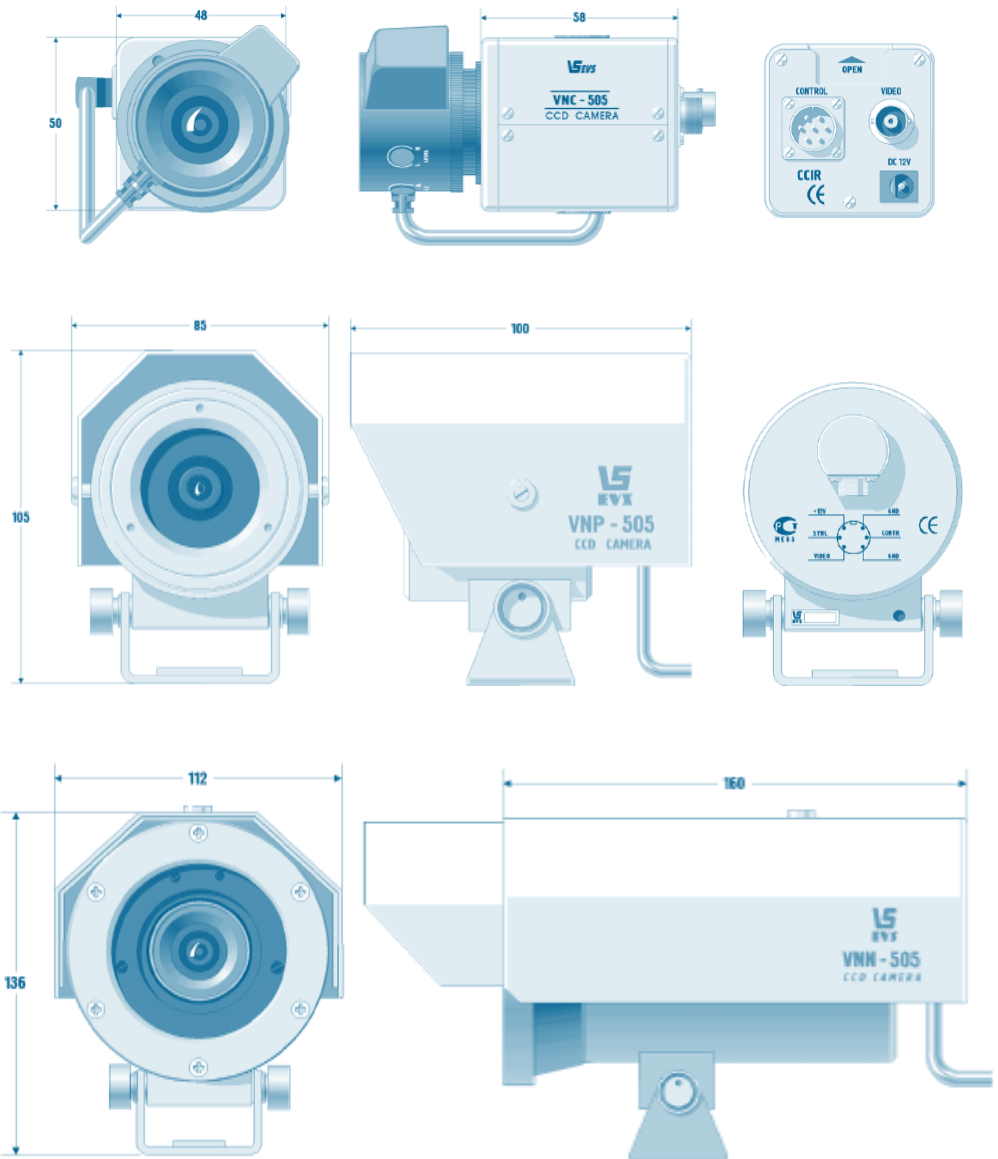


series VNC
VNP
VNN



EVS CCD CAMERAS SPECIAL FEATURES

- Adaptive definition correction improves clarity of fine details.
- Two step AGC system raises contrast of the images with low light exposure.
- Electronic shutter allows use of less expensive small sized lenses with manual iris.
- CS Mount with extension ring for C mount, VS driven auto iris or direct drive lenses



| Technical data | VNC-505 | VNP-505 | VNN-505 |
|---------------------------------|----------------------------------|---------------------------------|----------------------------------|
| Sensor | 1/3" Sony, ICX-055AL | 1/3" Sony, ICX-055AL | 1/3" Sony, ICX-055AL |
| Effective pixels | 291,000=582(V) x 500 (H) | 291,000=582(V) x 500 (H) | 291,000=582(V) x 500 (H) |
| Line standard | 625 lines, 50 Hz | 625 lines, 50 Hz | 625 lines, 50 Hz |
| TV standard | CCIR interlaced | CCIR interlaced | CCIR interlaced |
| Horizontal resolution | 380 lines (7.2 MHz) | 380 lines (7.2 MHz) | 380 lines (7.2 MHz) |
| Light sensitivity on the object | 0.0002 lx (F0.75 at S/N=20dB) | 0.0015 lx (F2.0 at S/N=20dB) | 0.0002 lx (F0.75 at S/N=20dB) |
| Spectral range | 400 nm ... 1000 nm | 400 nm ... 1000 nm | 400 nm ... 1000 nm |
| Shutter | 1/100000 - 1/10 s | 1/100000 - 1/10 s | 1/100000 - 1/10 s |
| Video output | VBS, coax, 2-wire | VBS, coax, 2-wire | VBS, coax, 2-wire |
| Operating voltage | 10...12.5 V DC | 10...12.5 V DC | 10...12.5 V DC |
| Current consumption | 150 mA | 230 mA | 280 mA |
| Video output | System connector, BNC | System connector | System connector |
| Lens mount | C, CS | M12 | C, CS |
| Storage temperature | -40 ... +75°C | -60 ... +75°C | -60 ... +75°C |
| Operating temperature | +1 ... +60°C | -40 ... +60°C | -40 ... +60°C |
| Weight | 350 g | 460 g | 670 g |
| Dimensions (LxBxH) | 48 x 50 x 58 mm | 85 x 105 x 100 mm | 112 x 136 x 160 mm |

series VNC
VNP
VNN

0.0002 Lux

