



FH 7517 E – 17" TFT monitor

Specifications

LCD Display: 17" SXGA TFT LCD panel

Viewable size: 337,9 (H) x 270,3 (V) mm / 5:4

Contrast ratio: 400:1 (typ.)

Brightness: 300 cd / m² (typ.)

Response time (tr/ta): 8 ms (typ.)

Display colour: 16,7 million

Pixel pitch: 0,264 (H) x 0,264 (V) mm

Max. resolution: 1280 x 1024

Horizontal frequency: 31 K ~ 80 KHz

Vertical frequency: 56 Hz ~ 75 Hz

Viewing angle H/V: 160° / 150°

Video inputs: 2 x FBAS Video 1,0 Vp-p, BNC, Ch. 2 with loop-through / automatic 75 Ohm termination
S-Video, mini DIN

VGA, 15-pin D-Sub

Audio: 2 x line in Cinch / line out 3,5mm stereo jack,
2 internal speakers 2,5W (max.)

OSD menu: all modes: colour, brightness, contrast, H-Pos., V-Pos., V-size, H-size, clock, phase, colour temp. user colour R/G/B, OSD H-Pos. / V-Pos., volume, language (EN/DE/FR/TR/IT/ES/CN), load default

Power input: 12 VDC / 3A,
via external power supply 100~240 VAC

Power consumption: 35W (max.), 5W in power saving mode

Power management: VESA DPMS, DDC1 / 2B compatible

Operating condition: Temp. 0°C ~ +40°C, humidity 10~85%

Storage condition: Temp. -20°C ~ +60°C, humidity 10~85%

Dimensions: 374 (W) x 327 (H) x 54 (D) mm (w/o stand base)

Weight: 5,8 kg

Approvals: FCC, CE, UL, RoHS

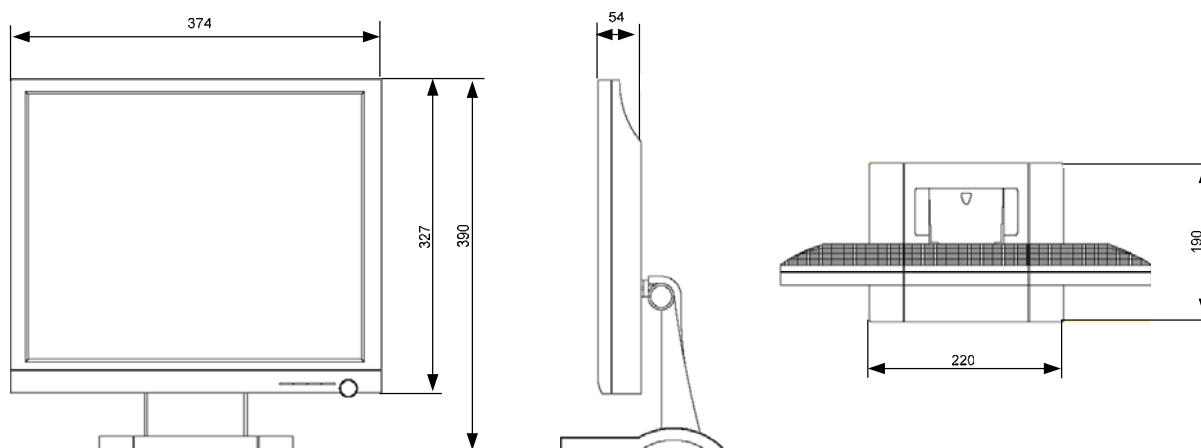
Mounting: stand base included,
VESA compatible mount 75x75

Mounting accessories: BA DW 151 / 161 (wall / table mount)

BA DW 170 / 171 (wall mount)

BA DW CM (ceiling mount with BA DW 170 / 171)

BA DW CM2 (ceiling mount)



FH7517E_db_en_rev01