



EQH 5200 – 2.0 megapixel full HD CCTV camera with progressive scan, automatic IR cut filter

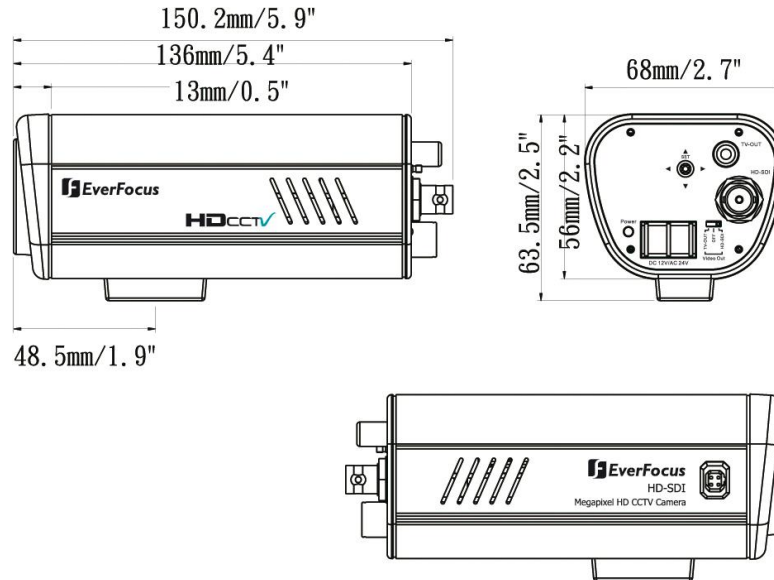
Features

- HD-CCTV 2 Megapixel real time 1920 x 1080 HD video over coax
- 2 megapixel progressive scan CMOS sensor
- supports 720p and 1080i video outputs
- support of both C-mount and CS-mount lenses (DC or manual)
- day/night function with automatically swiveling IR cut filter
- on-screen programming
- dual video output: megapixel HD-SDI (BNC) plus SD TV out (RCA) for installation
- dual power source 12 V DC / 24 V AC

Technical data	
Pickup device	1/2,5" 2 megapixel CMOS sensor
Effective sensor size	1080i: 6,9 mm / 0,27" 720p: 9,1 mm / 0,36"
Sensitivity	0,02 lux / F = 1.2 (AGC on)
S/N ratio	> 50 dB (AGC off)
Video format main output	HD-SDI / HD-CCTV 1080i50, 1080i60 720p50, 720p60
Resolution main output	1920 x 1080 / 2 megapixel or 1280 x 720 / 1 megapixel
Main output connector	BNC socket
Video format test output	NTSC / PAL selectable, 1 Vp-p
Test output connector	RCA socket
Electronic shutter	1/50 ~ 1/8000
Lens type	C/CS mount, direct drive (DC) or manual (lens not included)
Back light compensation	on / off selectable
AGC	high / middle / low / off selectable
Auto white balance	AWB / one-push / manual / indoor / outdoor
OSD menu	yes (controlled from rear 5-axis joystick control)
Day/night control	automatically swiveling IR cut filter / manual
Mirror	yes, horizontal / vertical
Power source	12 V DC / 24 V AC
Power consumption	6 W max.
Ambient temperature	0°C ~ +45°C
Humidity	20% ~ 80%
Dimensions (WxHxD)	68 x 56 x 146 mm (incl. BNC socket)
Weight	400 g
Recommended lenses:	
EFV 167 MP-DC	1,67 mm megapixel lens, ultra wide angle with optical distortion correction
EFV 412 MP – M / DC	4 ~ 12 mm megapixel lens (manual / DC varifocal), format: 12,7mm (1/2")
EFV 246 MP – M / DC	2,4 ~ 6 mm megapixel lens (manual / DC varifocal), format: 8,5mm (1/3")
EFV 308 MP – M / DC	3 ~ 8 mm megapixel lens (manual / DC varifocal), format: 8,5mm (1/3")
EFV 550 MP – M / DC	5 ~ 50 mm megapixel lens (manual / DC varifocal), format: 8,5mm (1/3")

EQH5200_db_en_rev02

Dimensions



(Unit: mm/inch)

Ordering information

EQH 5200	2.0 Megapixel full HD CCTV camera with progressive scan CMOS sensor, automatic IR cut filter, 12 V DC / 24 V AC
EFV 167 MP-DC	1,67 mm megapixel lens, ultra wide angle with optical distortion correction, supported formats: 8,5mm (1/3"), 10mm (1/2,5"), 10,6mm (1/2,7")
EFV 412 MP – M	4 ~12 mm manual megapixel lens, format: 12,7mm (1/2")
EFV 412 MP – DC	4 ~12 mm megapixel DC varifocal lens, format: 12,7mm (1/2")
EFV 246 MP – M	2,4 ~ 6 mm manual megapixel lens, format: 8,5mm (1/3")
EFV 246 MP – DC	2,4 ~ 6 mm megapixel DC varifocal lens, format: 8,5mm (1/3")
EFV 308 MP – M	3 ~ 8 mm manual megapixel lens, format: 8,5mm (1/3")
EFV 308 MP – DC	3 ~ 8 mm megapixel DC varifocal lens, format: 8,5mm (1/3")
EFV 550 MP – M	5 ~ 50 mm manual megapixel lens, format: 8,5mm (1/3")
EFV 550 MP – DC	5 ~ 50 mm megapixel DC varifocal lens, format: 8,5mm (1/3")