



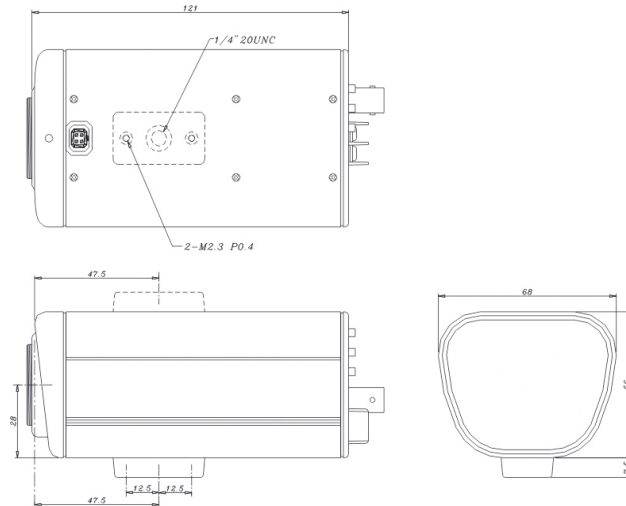
**EQ 610 T – 8,5mm (1/3") day/night camera with WDR, high resolution, automatic IR cut filter**  
**EQ 610 D – 8,5mm (1/3") day/night camera with WDR, high resolution, static IR cut filter**

## Features

- Super-high resolution technology (560 TV lines)
- Built-in 3D noise reduction
- Day/night function with automatically swiveling IR cut filter (EQ 610 T)
- Optimized for correction of focus shift with IR illumination (EQ 610 T)
- Static IR cut filter, optimized for applications without IR lamps (EQ 610 D)
- Super HAD II sensor with 5x better native light sensitivity
- On-screen programming with local or RS-485 remote control
- 8 adjustable privacy zones
- Motion detection with 4 adjustable zones
- Digital Wide Dynamic Range for properly exposed images
- Up to 32x digital zoom
- Support of both C-mount and CS-mount lenses

Technical data		
	EQ 610 T	EQ 610 D
Sensor	8,5 mm (1/3") SONY Super HAD II CCD	
Picture element	752 (H) x 582 (V)	
Horizontal resolution	560 TV lines	
Sensitivity	0,002 lux (sens-up x256), 0,05 lux / F = 1.2 (AGC on)	
S/N ratio	> 52 dB (AGC off)	
Gamma correction	0,45	
OSD	Yes, with multiple functions; local or RS-485 remote control	
Day/night control EQ 610 T	Automatically swiveling IR cut filter and enhanced b/w sensitivity	
Day/night control EQ 610 D	Automatic colour-b/w switching, 2 sensitivity levels / off	
IR cut filter automatic swivel control (EQ 610 T)	auto / colour / b/w / EXT (external light sensor)	
External light sensor (EQ 610 T)	Optional (3,5mm jack)	
Lens selection	Direct drive (DC) / manual (lens not included)	
Electronic shutter	1/50 ~ 1/100.000	
Back light compensation	off / BLC / HS BLC	
White balance	ATW / AWB / AWC / manual / indoor / outdoor	
AGC	Off / low / middle / high	
3D DNR (dynamic noise reduction)	on / off, adjustable level	
Digital WDR (Wide Dynamic Range)	outdoor / indoor	
Digital slow shutter	Off / auto: x2 ~ x256 selectable	
Mirror	off / mirror / V-flip / rotate	
Digital zoom	on / off, up to 32x	
Motion detection	on / off, 4 adjustable zones	
Motion alarm output	1 output (3,3 VDC)	
Video output	BNC, 1,0 Vp-p, 75 Ohm	
Sync. Mode	internal / line lock	
Privacy zones	on / off, 8 adjustable zones	
Serial interface	RS-485 (Protocols: EverFocus / Pelco-D) for menu / configuration	
Power source	EQ 610 T A / P: 12 V DC / 24 V AC EQ 610 T / P: 100 ~ 240 V AC	EQ 610 D A / P: 12 V DC / 24 V AC EQ 610 D / P: 100 ~ 240 V AC
Power consumption	EQ 610 T A / P: 3 W EQ 610 T / P: 5 W	EQ 610 D A / P: 3 W EQ 610 D / P: 5 W
Ambient temperature	0°C ~ +50°C	
Dimensions (WxHxD)	68 x 56 x 120 mm	
Weight	400 g	

## Dimensions



## Ordering information

EQ 610 T A / P	8,5mm (1/3") day/night camera with WDR, 560 TV lines, high resolution, C/CS mount, w/o lens, automatic IR cut filter, 12 V DC / 24 V AC
EQ 610 T / P	8,5mm (1/3") day/night camera with WDR, 560 TV lines, high resolution, C/CS mount, w/o lens, automatic IR cut filter, 100 ~ 240 V AC
EQ 610 D A / P	8,5mm (1/3") day/night camera with WDR, 560 TV lines, high resolution, C/CS mount, w/o lens, static IR cut filter, 12 V DC / 24 V AC
EQ 610 D / P	8,5mm (1/3") day/night camera with WDR, 560 TV lines, high resolution, C/CS mount, w/o lens, static IR cut filter, 100 ~ 240 V AC
AP12A122E0	Power supply 230 V AC / 12 V DC, 600 mA, stabilized, switched

EQ610\_db\_en\_rev01