



## EQ 150 – 1/3" b/w DSP camera, high resolution

### Specifications

**Sensor:** 1/3" SONY CCD

**Picture element:** 752 (H) x 582 (V)

**Horizontal resolution:** 560 TV lines

**Sensitivity:** 0,04 lux / F = 1.2

**Video output:** 1 Vp-p CCIR, BNC

**Audio:** microphone output 500 mV / 47 kOhm, cinch

**S/N ratio:** over 48 dB

**Gamma correction:** 0,45

**Back light compensation:** on / off switch

**AGC:** on / off switch

**Synchronisation:** 1. line-locked with LL on,

2. internal with LL off

**Electronic shutter:** 1:50 ~ 1:100.000

**Lens control:** VD / DD switchable

**Lens mount:** C/CS mount, full range backfocus mechanism

**Power source:** EQ 150: 90 ~ 260 V AC

EQ 150 A: 12 V DC / 24 V AC

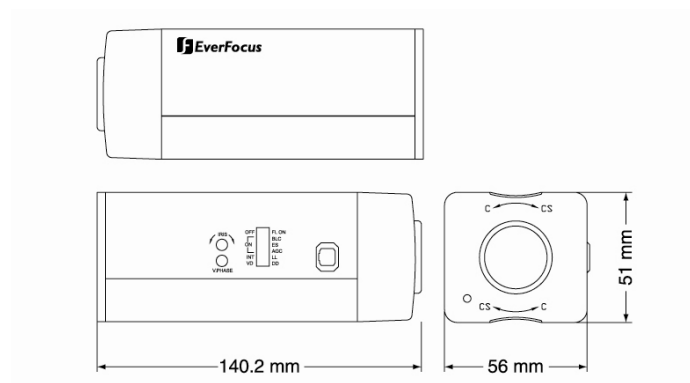
**Power consumption:** EQ 150: 9 W max.

EQ 150 A: 5 W max.

**Ambient temperature:** 0°C ~ +50°C

**Dimensions:** 51 (W) x 57 (H) x 140 (L) mm

**Weight:** 600 g (EQ 150), 500 g (EQ 150 A)



EQ150\_db\_en\_rev04