



EPTZ 100 – 1/4" 10x day / night indoor speed dome camera

Specifications

Camera

Sensor: 1/4" CCD SONY Super HAD
 Effective pixels: 440.000
 Horizontal resolution: 520 TV lines (colour mode) / 570 TV lines (b/w mode)
 Sensitivity: 0,7 lux (F 1.8, 50 IRE – colour mode)
 0,02 lux (F 1.8, 50 IRE – b/w mode)
 0,005 lux (DSS x 128)

Video output: composite 1 Vp-p (sync. negative)
 S/N ratio: over 50 dB
 Sync. system: internal
 Electronic shutter: 1/50 ~ 1/120.000, automatic (ESC) or manual
 DSS digital slow shutter: up to 128 x
 White balance: auto AWC / ATW mode / manual
 Back light compensation: adjustable 3 steps / OFF
 Gain: adjustable 3 steps / OFF
 Flicker cancel: on / off
 DNR Dynamic Noise Reduction: adjustable 3 steps / off
 Day/night switching: IRC + b/w switching manual / automatic

Lens

Zoom ratio: 10x optical zoom
 (+10x digital zoom, max. 100x)
 Focus length: f=3,8 (wide) ~ 38 (tele) mm
 Aperture: F 1.6 (wide) ~ F 2.8 (tele)
 Viewing angle: 51,2° (wide end) to 5,58° (tele end)
 Minimum object distance: 1,5 m
 Focusing method: auto, one-push AF, manual

Alarm

Input: 3 x N.O. contact with preset position triggering
 Output: 1 x relay out N.O. / N.C.

Communication

Interface: RS-485 simplex (2 wire)
 Telemetry protocols: EverFocus, Pelco-P, Pelco-D (DIP-Switch)
 Baudrate: 2400/4800/9600 bps (DIP-Switch)
 Address range: 1~255 (DIP-Switch)

Pan / Tilt specifications

Horizontal rotation range: 360° unlimited rotation
 Tilt rotation range: 90° with auto flip
 Pan / tilt speed: 0,5° ~ 240° / sec.
 Position accuracy: 0,225°

Functions

Preset positions: 64
 Preset tours: 7
 Pattern: 4 x pattern with up to 800 movements / 600 s PTZ recording each
 Autopan: 2-point mode or endless
 Privacy zones: 4
 Setup: Multiline OSD setup; protocol, baudrate, RS-485 ID by DIP-switch
 Auto resume: after inactivity 1~10 min, after power-up

Power

Power source: 24 V AC
 Power consumption: 19W max. (with PTZ motors)
 12 W max. (w/o PTZ motors)

Housing

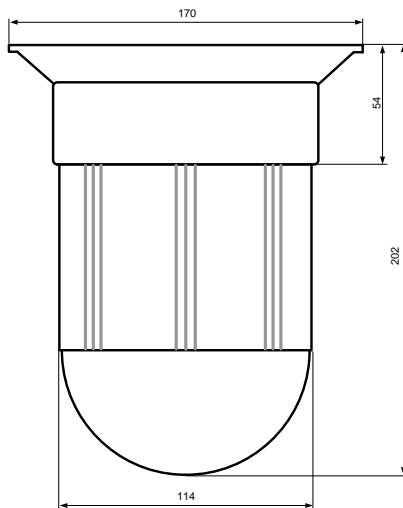
Ambient temperature: 0°C ~ +40°C
 Humidity: 85% max.
 Dimensions: 200 (H) x 114 (D) mm (incl. ceiling mount adaptor)
 Weight: 1,5 kg

Accessories

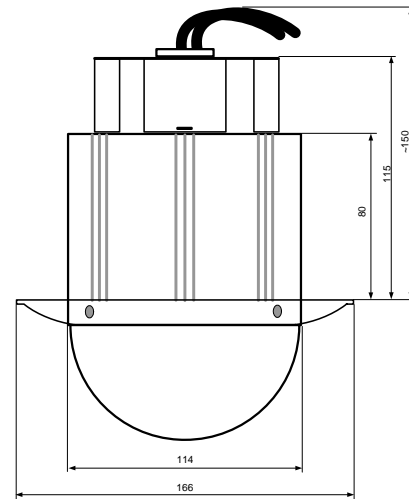
EPTZ 100 WLM – wall mount bracket for EPTZ 100
 EPTZ 100 CPM – pendant ceiling mount adaptor for EPTZ 100

Dimensions

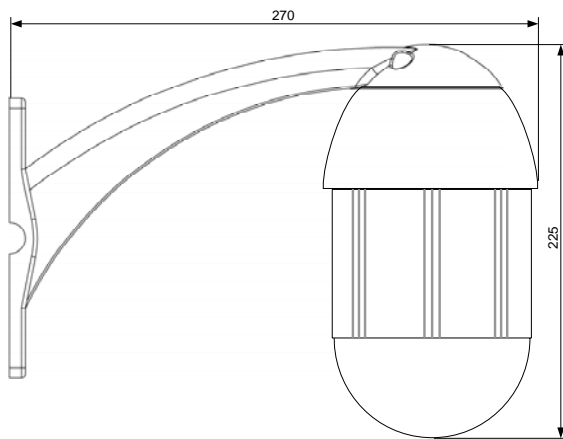
Ceiling mount



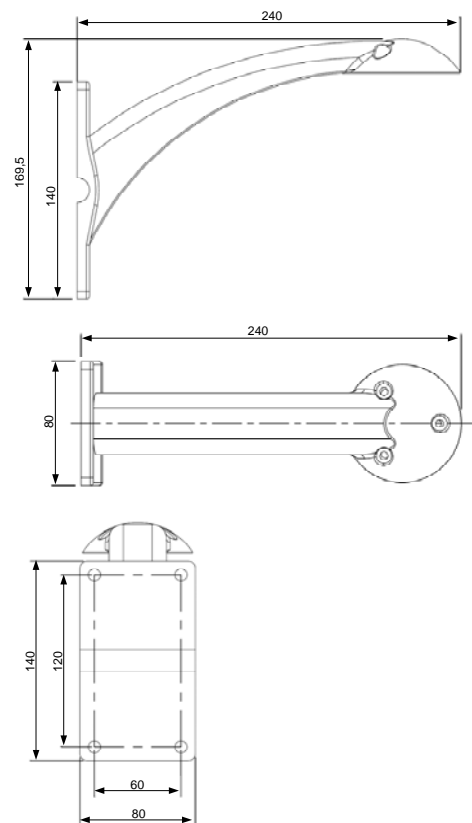
Recessed ceiling mount



Wall mount with EPTZ100-WLM

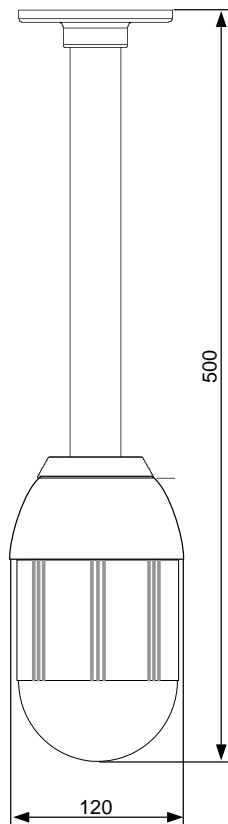


Bracket EPTZ100-WLM

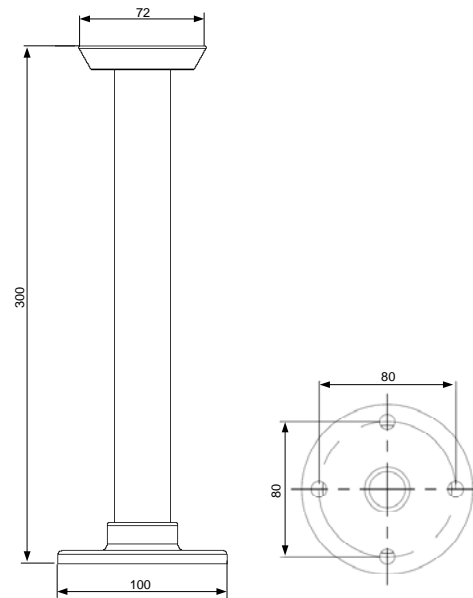


EPTZ100_db_en_rev01

Pendant ceiling mount with EPTZ100-CLM



Pendant ceiling mount adapter EPTZ100-CLM



EPTZ100_db_en_rev01