



EI 300 E – 1/3" lens integrated colour camera, high resolution



Specifications

Sensor: 1/3" SONY CCD

Picture element: 752 x 582 (PAL)

Horizontal resolution: 520 TV lines

Sensitivity: 1,0 lux / F = 1.2

Video output: 1 Vp-p composite PAL

S/N ratio: over 48 dB

Gamma correction: 0,45

Synchronisation: internal

Back light compensation: on / off

Auto white balance: yes

AGC: on / off

Electronic shutter: 1:50 ~ 1:100.000

Lens: DC varifocal lens, f=3,8~9,5mm (IR-corrected),

F=1,4~1.8

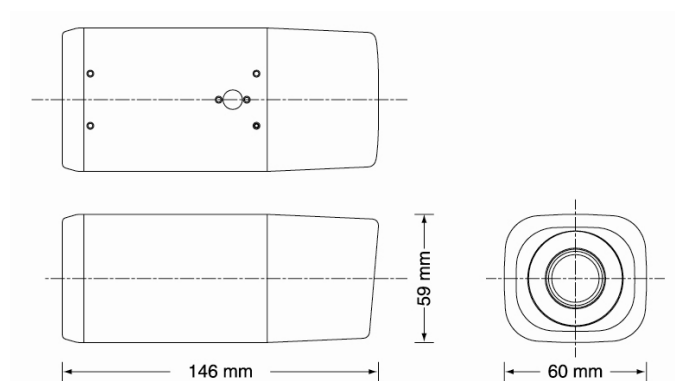
Power source: 12 V DC +/- 10%, 300 mA

Ambient temperature: 0°C ~ +50°C

Dimensions: 66 (W) x 59 (H) x 146 (L) mm

Weight: 650 g

Bracket: zinc, 155 (H) x 45 (D) mm, included



EI300E_db_en_rev00