



EHD 525 EX – 1/3" day / night rugged dome camera, high resolution



Specifications

Sensor: 1/3" SONY Exview™ CCD
Picture element: 752 x 582 (PAL)
Horizontal resolution: 520 TV lines
Sensitivity: 0,5 lux / F = 1.2 colour (day mode)
 0,1 lux / F = 1.2 b/w (night mode)

Day/night control: automatic swiveling IR cut filter
Video output: 1 Vp-p composite PAL
S/N ratio: over 48 dB
Gamma correction: 0,45
Synchronisation: internal / line lock (only 24 V AC)
Line lock (24 V AC): on / off
Back light compensation: on / off
Auto white balance: yes
AGC: on / off
Electronic shutter: 1:50 ~ 1:100.000
Tamper contact: micro switch
Lens: DC varifocal lens, f=3,6 ~ 9mm
Heater: 12W thermostat controlled
Heater activating temperature: +10°C
Casing: zinc diecasted, dome polycarbonate, clear
Weatherproof rating: IP 66

Power source: 12 V DC +/- 10%, 24 V AC +/- 10%
Power consumption: 5 W max. (15W with activated heater)

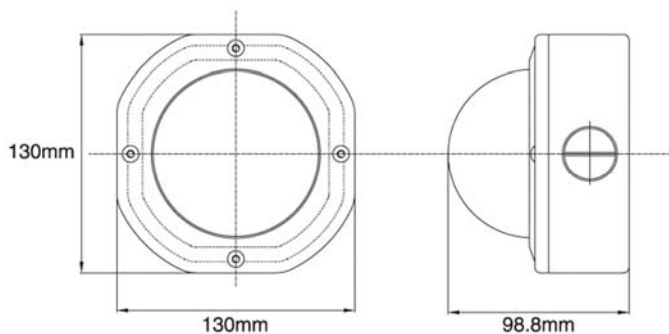
Ambient temperature: -40°C ~ +50°C
Dimensions: 130 (W) x 130 (H) x 99 (D) mm
Weight: 1,7 kg

Accessories



EHD WMA – wall mount bracket

Material: aluminium
Dimensions: 150(W) x 110(H) x 170(D) mm
Weight: 600 g
Max. load: 4 kg
Application: with EHD camera series



EHD525EX_db_en_rev01