



ED 200 E – 1/3" colour mini dome camera, standard resolution

Specifications

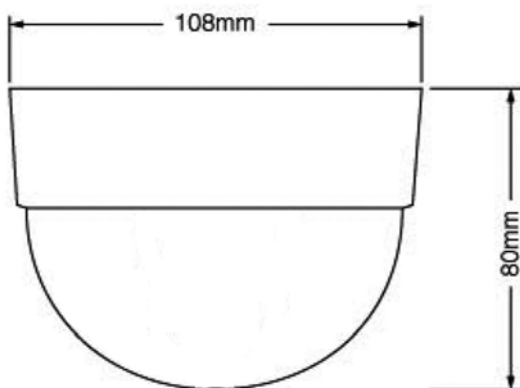
Sensor: 1/3" SONY CCD
Picture element: 500 x 582 (PAL)
Horizontal resolution: 340 TV lines
Sensitivity: 0,3 lux / F = 1.2
Video output: 1 Vp-p composite PAL
S/N ratio: over 48 dB
Gamma correction: 0,45
Synchronisation: internal
Auto white balance: yes
AGC: yes
Electronic shutter: 1:50 ~ 1:100.000
Lens: f=3,6mm (further lenses upon request)
Lens mount: M12 x P0,5
Colour: black or white base

Power source: 12 V DC +/- 10%, 200 mA

Ambient temperature: 0°C ~ +50°C

Dimensions: 108 (D) x 80 (H) mm

Weight: 420 g



ED200E_db_en_rev00