



ECZ 330 E – 8,5mm (1/3") day/night camera with IR LED, high resolution

ECZ 230 E – 8,5mm (1/3") day/night camera with IR LED, standard resolution

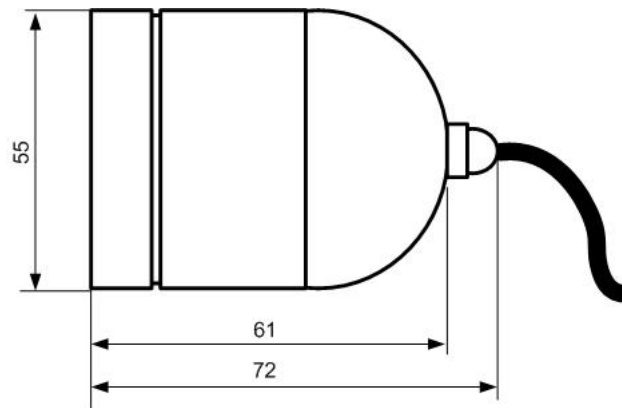
## Features

- 14 powerful IR LED, video signal controlled variable LED power
- Splitted front glass for low internal IR reflection
- IR range 5 ~ 20 m\*
- IP66 weatherproof rating
- Integrated wall bracket
- Mounting hole at lower and upper side for camera bracket

Technical data		
	ECZ 330 E	ECZ 230 E
Sensor	1/3" SONY IT CCD	
Picture element	752 x 582 (PAL)	500 x 582 (PAL)
Horizontal resolution	520 TV lines	380 TV lines
Sensitivity	0,5 lux / F = 1.2 (IR LED off)	0,3 lux / F = 1.2 (IR LED off)
IR LED	14x, video signal controlled variable LED power splitted front glass for low internal IR reflection	
IR LED lifetime	Up to 50.000 h	
IR range	5 ~ 20 m*	
Video output	1 Vp-p composite PAL	
S/N ratio	Over 48 dB	
Gamma correction	0,45	
Synchronisation	Internal	
Back light compensation	Yes	
Auto white balance	Yes	
AGC	Yes	
Electronic shutter	auto 1:50 ~ 1:100.000	
Lens	4,3mm / F2, M12 x P0,5	
Mounting	6,35 mm (1/4") mounting hole at lower and upper side for camera bracket (incl.)	
Casing	Aluminium	
Weatherproof rating	IP 66	
Power source	12 V DC +/- 10%	
Power consumption	6W max.	
Ambient temperature	-10°C ~ +50°C	
Dimensions w/o sunshield (diam.xH)	55 x 72 mm	
Dimensions with sunshield (WxHxD)	62 x 58,5 x 82 mm	
Weight	245 g	

\* The IR illumination range depends on the location, particularly with regard to the reflection of the installation's surroundings. Locating the device near to highly absorbent surfaces can result in a significantly reduced range.

## Dimensions



## Available models



ECZ 330 E  
8,5mm (1/3") day/night camera with IR LED  
high resolution



ECZ 230 E  
8,5mm (1/3") day/night camera with IR LED  
standard resolution

## Ordering information

ECZ 330 E / P	8,5mm (1/3") day/night outdoor IR camera, 520 TV lines, IP66, 4,3mm lens, 12 V DC
ECZ 230 E / P	8,5mm (1/3") day/night outdoor IR camera, 380 TV lines, IP66, 4,3mm lens, 12 V DC

ECZ\_330E\_230E\_db\_en\_rev03