



## EBD 430 – 1/3" vandal-proof outdoor day/night 3-axis dome camera with IR LED and varifocal lens, high resolution, automatic IR cut filter

### Features

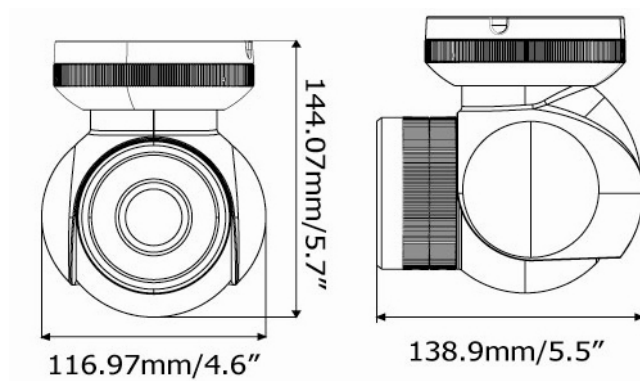
- High resolution technology (520 TV lines)
- IR range up to 30 m
- Splitted front glass for low internal IR reflection
- Vandal-proof and IP66 weatherproof casing
- Zoom and focus outside adjustable
- 3-axis rotation for flexible viewing angle



Technical data		
	EBD 430 V3	EBD 430 V2
Sensor	1/3" SONY Super HAD CCD II	
Picture element	752 x 582 (PAL)	
Horizontal resolution	520 TV lines	
Sensitivity	0,08 lux / F = 1.2 (IR LED off), 0 lux (IR LED on)	
IR LED wavelength	850 nm	
IR LED lifetime	Up to 20.000 h	
IR range	Up to 30 m	
Video output	1 Vp-p composite, BNC	
S/N ratio	Over 48 dB (AGC off)	
Gamma correction	0,45	
Back light compensation	Yes	
Auto white balance	Yes (2500°K ~ 9000°K)	
AGC	Yes	
Synchronisation	Internal	
Electronic shutter	1:50 ~ 1:100.000	
Lens	DC varifocal lens f = 2,9 ~ 10 mm	DC varifocal lens f = 9 ~ 22 mm
Day/night switching	Automatically swiveling IR cut filter	
Heater	Built-in heater	
Weatherproof rating	IP 66	
Power source	12 V DC / 24 V AC	
Power consumption	12 V DC: 9 W max. (heater & IR LED on) 24 V AC: 9,5 W max. (heater & IR LED on)	
Ambient temperature	-40°C ~ +50°C	
Humidity	20 ~ 80%	
Dimensions (WxHxD)	117 x 144 x 139 mm	
Weight	1,3 kg	

EBD430\_db\_en\_rev00

## Dimensions



## Ordering information

EBD 430 / P-V3	1/3" vandal-proof outdoor day/night 3-axis dome camera with IR LED and varifocal lens 2,9~10mm, high resolution, automatic IR cut filter, 12 V DC / 24 V AC
EBD 430 / P-V2	1/3" vandal-proof outdoor day/night 3-axis dome camera with IR LED and varifocal lens 9~22mm, high resolution, automatic IR cut filter, 12 V DC / 24 V AC