



EBD 330 A – 1/3" day / night camera with IR-LED, high resolution

Specifications

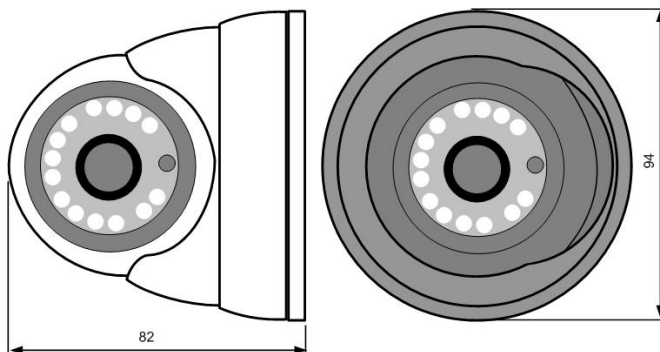
Sensor: 1/3" SONY CCD
Picture element: 752 x 582 (PAL)
Horizontal resolution: 480 TV lines
Sensitivity: 0,5 lux / F = 1.2 (IR-LED off)
IR-LED: 20x, controlled by internal twilight switch, splitted front glass for low internal IR reflection

IR-LED lifetime: up to 50.000 h
IR range: 5~20m*
Video output: 1 Vp-p composite PAL
S/N ratio: over 48 dB
Gamma correction: 0,45
Synchronisation: internal
Back light compensation: yes
Auto white balance: yes
AGC: yes
Electronic shutter: 1:50 ~ 1:100.000
Lens: f= 3,6mm / F2, M12 x P0,5
Mounting: ceiling or wall mounting, 3-axis adjustment of camera module
Casing: aluminium
Weatherproof rating: IP 66

Power source: 12 V DC +/- 10%
Power consumption: 6W max.

Ambient temperature: -10°C ~ +50°C
Dimensions: 94 (D) x 82 (H) mm
Weight: 450 g

- The IR illumination range depends on the location, particularly with regard to the reflections of the installation's surroundings. Locating the device near to highly absorbent surfaces can result in a significantly reduced range.



EBD330A_db_en_rev00