



EB 200 E – 1/3" colour PCB camera

Specifications

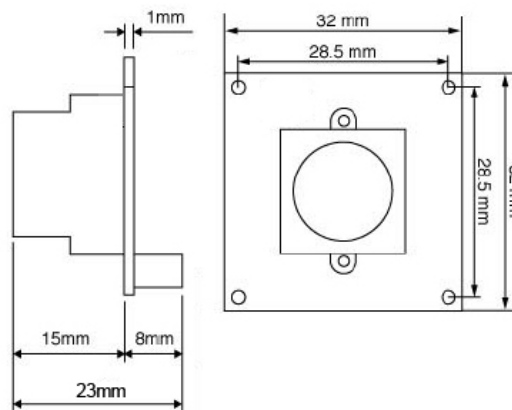
Sensor: 1/3" SONY CCD
Picture element: 500 x 582 (PAL)
Horizontal resolution: 340 TV lines
Sensitivity: 0,3 lux / F = 1.2
Video output: 1 Vp-p composite PAL
S/N ratio: over 48 dB
Gamma correction: 0,45
Synchronisation: internal
Back light compensation: yes
Auto white balance: yes
AGC: yes
Electronic shutter: 1:50 ~ 1:100.000
Lens: f=3,6mm (further lenses upon request)
Lens mount: M12 x P0,5

Power source: 12 V DC +/- 10%, 200 mA

Ambient temperature: 0°C ~ +50°C

Dimensions: 32 (W) x 32 (H) x 23 (D) mm

Weight: 30 g



EB200E_db_en_rev00