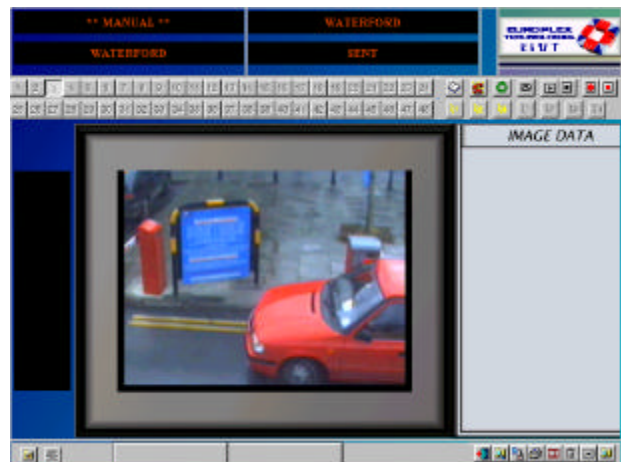


EIVT CENTRAL STATION KIT– EUROPLEX VIDEO TRANSMISSION

- Remote transmission of live video over ISDN using EIVT8/EIVT16
- Handle sites with up to 48 cameras
- Multiple site database for dialling
- May be used to dial an EIV video recording system with integrated EIVT to give on-site recording with remote view/monitor.
- Allows full duplex audio
- Transparent RS232 port for remote camera control.



Introduction

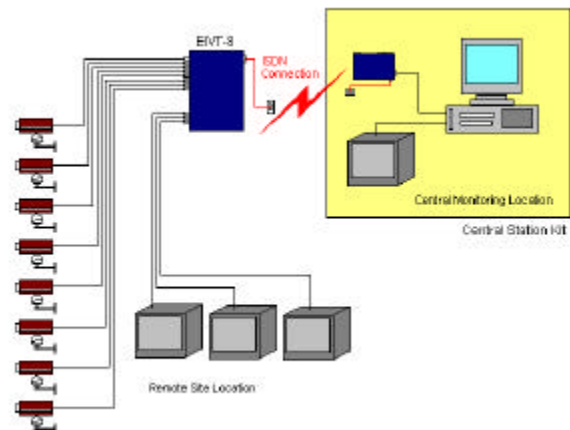
The Europlex Integrated Video Transmission Range of products is possibly one of the most flexible yet high performance ISDN transmission Systems available on today's security market place.

The Central Station kit comprises of a hi-spec PC with built in ISDN card and a separate ISDN video transmission/receiver board. This enables the user to dial into any site which has one of our EIVT systems installed and to monitor live video on up to 48 cameras. The Central Station can also be used to receive a call from any one of these sites. An EIVT site may be configured to dial the Central Station based on alarm triggers and the Central Station kit can then enable the user to monitor the site via the onsite cameras. The ability to send one-to-one audio to the site is also available (or even have two way audio between remote and local sites if necessary).

System Components

- Tower PC
- 15" Monitor
- Special Video Capture Card
- ISDN card
- Video Transceiver Board with ISDN capability
- EIVT viewing Software.

For every site that you require access via Central Station kit to, you need to install an EIVT. The EIVT (along with camera inputs) contains a transceiver module. This unit incorporates an ISDN2 terminal adapter, audio in and out sockets, video in and out connections and an independent serial port. Utilising standard ISDN connections, duplex video, duplex audio, and camera control/RS232 data can be transmitted simultaneously to/from the Central Station Kit and the EIVT site. Two specific base units of the EIVT are available, the 8 Camera and 16 Camera systems. Each of these is expandable up to 48 cameras by simple addition of camera expansion cards and storage enclosures.



Typical Block Diagram of remote transmission

The CS software also offers the ability to record individual JPEG images of the camera being viewed (at a rate of approx. 2 frames per second). These can then be reviewed offline at any time.

An existing EIV Digital Video Recording System may be upgraded to include an EIVT ISDN Transmission System for remote CCTV viewing.

EIV-T may be integrated with a 3GS Security & Access solution, providing off-site, near real-time video verification of alarm and transparent security/access communications.

EIVT CENTRAL STATION VIDEO TRANSMISSION DATA SHEET

Video Connectors	1 x Phono Composite Video Input 1 x Phono Composite Video Output
Video Input	NTSC/PAL Color & Monochrome
Picture Resolution	CIF (352 x 288 pixels) at up to 15 frames per second
Audio	Full duplex audio. G.711 (A-law and μ -law), G.722, and G.728 supported Echo cancellation
Audio Connectors	1 x Line Audio In - RCA phono socket (1V RMS max. @ 17 kohm) 1 x Line Audio Out – RCA phone socket (707mV RMS into > 10 kohm)
Remote Transmission	ISDN2
PC	700 MHz (Minimum) 64 MB SDRAM Memory Floppy Drive 13.5 GB Hard Disk (Minimum) Video Capture Card with fast I ² C port. Internal ISDN card 15-Inch Color Monitor Keyboard and Mouse
PC Dimension	Typical Industrial Cabinet: 18 cm(H) x 45 cm(W) x 45 cm(D) Typical Tower Cabinet: 39 cm(H) x 22 cm(W) x 41 cm (D)
Trans. Board Cabinet	300 mm(W) x 440 mm(L) x 80 mm(D)(Rack mountable)
Software	<ul style="list-style-type: none"> Windows 98 VMC2000 viewing software featuring: <ul style="list-style-type: none"> ... ISDN Dialup ... Multiple site database ... Image Archive Viewing software (for remote sites with integrated EIV) ... Search Image Archive using Date/Time criteria (for remote sites with EIV) ... Playback of recorded files as animation

Optional System Upgrades

17" Monitor
 Read/Write CD-ROM Drive
 Sound Card

Europlex Technologies [Ireland] Ltd.

Clonshaugh Industrial Estate, Clonshaugh, Dublin 17, Ireland.
 Tel: +353 - 1 - 2500500 Fax: +353 - 1 - 2500590
 e-mail: sales@europlex.ie

Europlex Technologies [UK] Ltd.

Ground Floor, Trent House, University Way, Cranfield Technology Park, Bedford, MK43 0AN, England.
 Tel: +44 - 1234 - 757100 Fax: +44 - 1234 - 757101
 e-mail: sales@europlex-uk.com

Europlex Technologies [USA] Inc.

Suite 106, 1700 Enterprise Way, SE Marietta, GA 30067, USA
 Tel: +1 - 770 - 818 - 0456 Fax: +1 - 770 - 818 - 0239
 e-mail: sales@europlex.com

Europlex Technologies [Canada] Inc.

Unit 6, 70 Dynamic Drive, Scarborough, Ontario, M1V 2N2, Canada.
 Tel: +1 - 416 - 7544313 Fax: +1 - 416 - 7548992
 e-mail: eplexcan@europlex.ie