

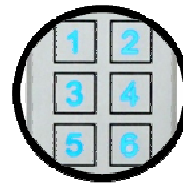
Piezoelectric Mullion-Style Keypad with Proximity Card Reader

SK-2323-SPAQ

1,010 Users, 2 Outputs

Features:

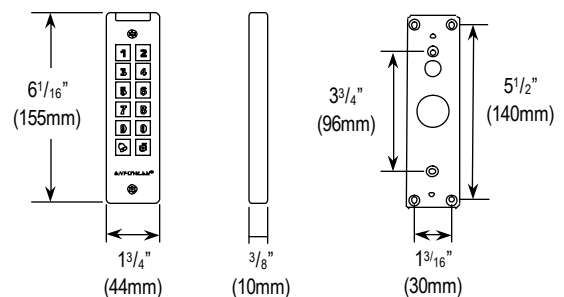
- No moving parts allows the keypad to withstand heavy use.
- Backlit keys for easy nighttime use.
- 1,010 Users (Output #1: 1,000 users, Output #2: 10 users).
- 2 Form C relay outputs—
each programmable from 1~99 seconds or toggle.
- Multi-colored status LEDs
- Output #2 can be programmed for use with a doorbell.
- 2 Egress inputs and 1 door sensor input.
- All features are programmed directly from the keypad.
- EEPROM protects programmed information in case of power loss.
- Optical tamper sensor for added security.
- Piezoelectric keys are operable even when wearing gloves.
- Circuitry is potted with epoxy for outdoor use.
- Weatherproof (IP65) for outdoor use.
- 12~24 VAC/VDC
- Rugged aluminum construction.
- Built-in 125kHz proximity reader. (Cards/tags sold separately.)
- 3 Programmable access modes for Output #1:
Card Only, Card or Code, and Card with Code.
- Output #2 may have either a card or a code programmed for each user.



Backlit keys for nighttime use.



Dimensions:



Specifications:

Operating voltage		12~24 VAC/VDC
Current draw	Standby	52mA@12VDC
	1 Relay active	73mA@12VDC
	2 Relays active	93mA@12VDC
Relay outputs	Output #1	1A@30VDC, Form C, NO/NC/COM
	Output #2	1A@30VDC, Form C, NO/NC/COM
Egress inputs	Input #1	N.O. ground
	Input #2	N.O. ground
Door sensor input		N.C. ground
Tamper sensor		Optical
Operating temperature		-4°~122° F (-20°~50° C)
Keypad LED life		Up to 60,000 hours (over 6.8 years)
Weight		5.5-oz (150g)
Proximity reader frequency		125kHz
Proximity reader distance		2" (5cm)
Box	Weight	0.8-lbs (363g)
	Dimensions	5 1/8"x2 1/4"x6 3/4" (130x57x167 mm)
Carton	Quantity	30 pieces
	Weight	25.5-lbs (11.6kg)
	Dimensions	15 3/4"x13 3/8"x12 3/16" (40x35x31 cm)

Proximity Cards and Tags (sold in packs of 10):



PR-K1S1-A



PR-K1K1-AQ

Superior Electronics Corporation

No.10, Lane 31, Chongde St., Sinyi District, Taipei City 110, Taiwan

TEL: 886-2-2378-6161 FAX: 886-2-2378-6163

E-mail: info@superior-elec.com

Website: www.enforcer.com.tw

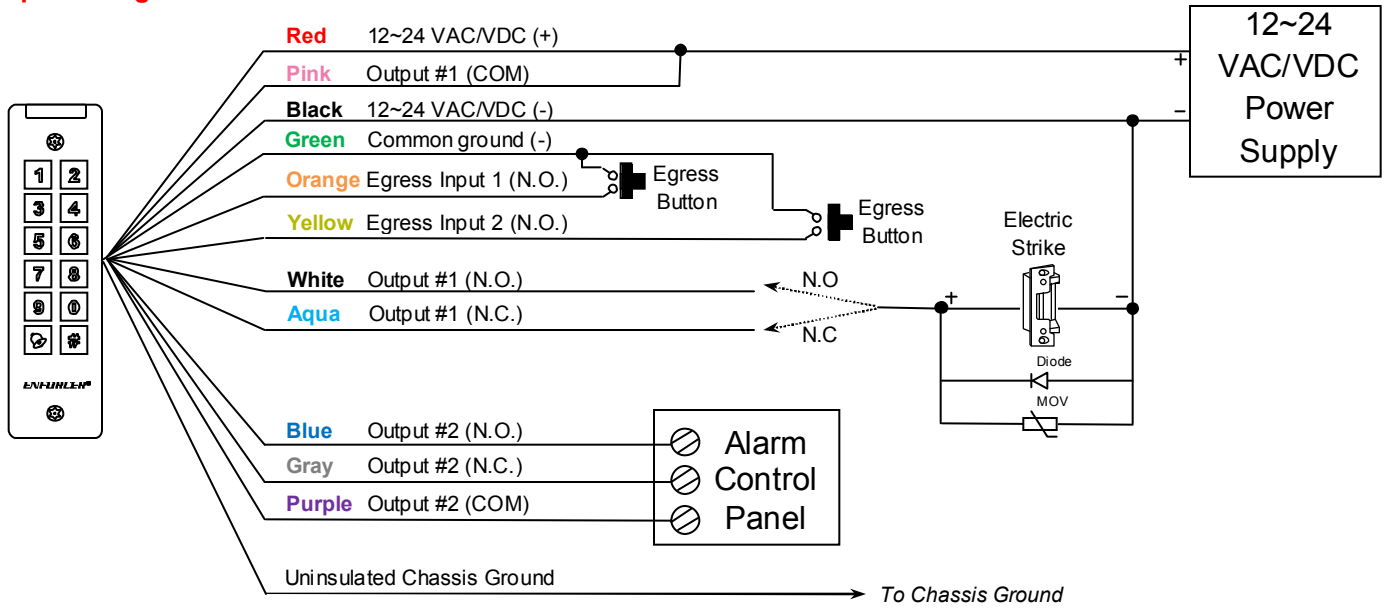


Copyright 2012 © SECO-LARM U.S.A., Inc. All rights reserved.
The SECO-LARM policy is one of continual development. For that reason, SECO-LARM reserves the right to change prices and specifications without notice. SECO-LARM is not responsible for misprints.

SECO-LARM ENFORCER® CRIMEBUSTER® CBA® SLI®

PISK-2323-SPAQ_V2

Sample Wiring:



Status LEDs and Beeps:

LED	Keypad Status
Blue	Power on, standby mode
Yellow	Programming mode
Green	Waiting to program code/card* (code+card access mode)
Red	Code/card already present
Green	Relay 1 activated
Red	Relay 2 activated
Green	Both relays activated
Green flashing	Restoring factory defaults
Green flashing	Waiting for code/card (code+card access mode)
Green flashing	Wrong code/card used
Off	Power off

Audible Beeps	Keypad Status
1 Long beep	Confirmation
1 Short beep	Key press
2 Short beeps	Invalid entry
3 Short beeps	User code/card denied
Constant short beeps	Optical tamper triggered
6 short + 1 long beep	All user codes deleted or program code length changed
No beep when key is pressed	Wrong code lockout

Also Available from SECO-LARM:

SK-1123-SQ

Outdoor Stand-Alone Keypad

- ▶ Weatherproof
- ▶ 110 Users
- ▶ 2 Relays
- ▶ Surface mount



SK-1323-SDQ

Sealed-Environment Keypad

- ▶ Weatherproof for outdoor use
- ▶ 1,010 Users
- ▶ 2 Relays
- ▶ Prox available



SK-1011-SQ

Indoor Stand-Alone Keypad

- ▶ Indoor use
- ▶ 100 Users
- ▶ 1 Relays
- ▶ Surface mount



SK-1123-FQ

Flush-Mount Outdoor Keypad

- ▶ Weatherproof
- ▶ 110 Users
- ▶ 1 Relay
- ▶ Flush mount



SK-2323-SDQ

Mullion-Style Keypad

- ▶ Weatherproof for outdoor use
- ▶ 1,010 Users
- ▶ 2 Relays
- ▶ Prox available



SK-1311-SQ

Illuminated Indoor Keypad

- ▶ Backlit Keys
- ▶ 120 Users
- ▶ 2 Relays
- ▶ Surface mount



Superior Electronics Corporation

No.10, Lane 31, Chongde St., Sinyi District, Taipei City 110, Taiwan

TEL: 886-2-2378-6161 FAX: 886-2-2378-6163

E-mail: info@superior-elec.com

Website: www.enforcer.com.tw



Copyright 2012 © SECO-LARM U.S.A., Inc. All rights reserved. The SECO-LARM policy is one of continual development. For that reason, SECO-LARM reserves the right to change prices and specifications without notice. SECO-LARM is not responsible for misprints.

SECO-LARM ENFORCER® CRIMEBUSTER® CBA® SLI®

PISK-2323-SPAQ_V2