

# Video Security

Housings | eneo Board Camera Housings

## WDG-1

Wall/Ceiling Mount Housing for  
Board Cameras, Pantone Coolgray 1C

Art-No. 71492



## Features

For Wall and Ceiling Surface Mount  
Clear Lexan Window Screen (1.0 F-stop reduction)  
For Board Cameras upto 42x42 mm

**Vandal and Tamper-Resistant**  
**For Easy Indoor and Outdoor Installation**  
**Housing Finish: Pantone Coolgray 1C**

## Specifications

Camera fixing	Board cameras upto 42 (L) x 42 (W) x 48 (H) mm
Camera mount	On a turn and tiltable mounting bracket
Heater	-
Voltage input	40 VAC max.
Cable entry	3/4" and 1/2" thread for conduit glands, lock stopper included
Protection rating	IP65 (at installation according to the manual)
Mounting	Wall & ceiling surface mount
Housing	Die-cast aluminium with tinted polycarbonate window screen
Colour	Pantone Coolgray 1C
Dimensions (HxWxD)	See drawing
Weight	500 g
Parts supplied	Mounting kit, 1/2" gland, Blind covers, Torx wrench key

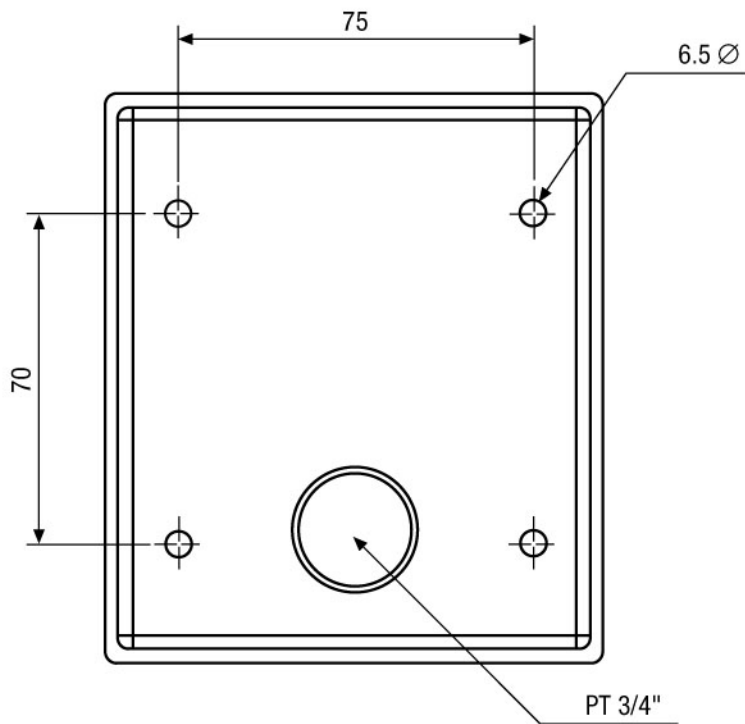
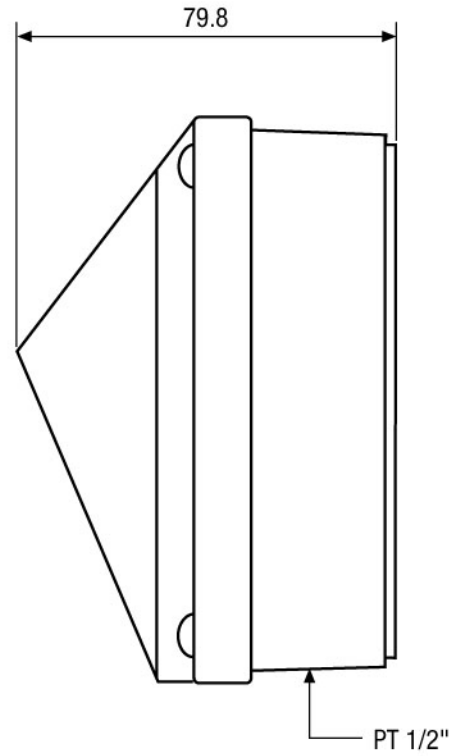
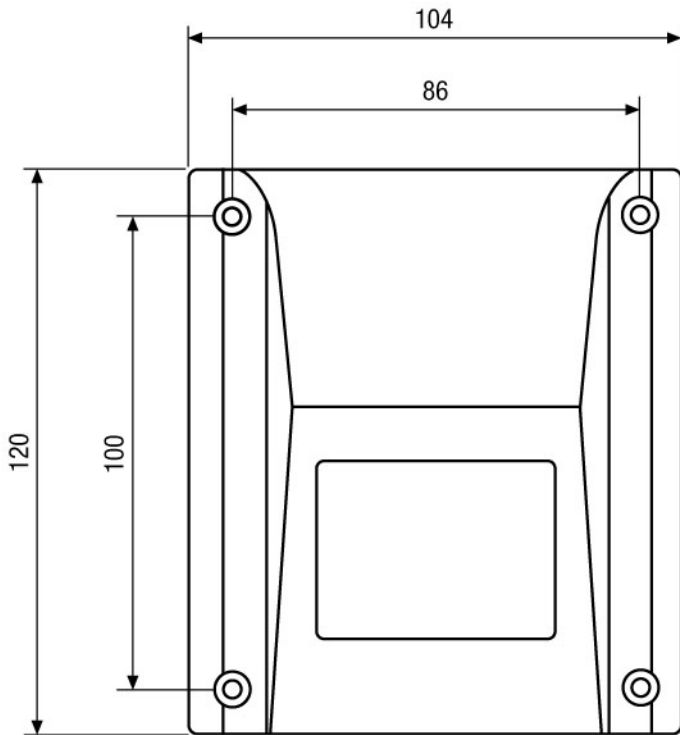
## Accessories

73844 / FW7362/12	Plugable AC/DC Adapter 100-240V/12VDC-2.5A, Regulated
77779 / VT-PS12DC-UK	Power Supply Unit w. UK Mains plug-in, 100-240VAC/12VDC-1.0A, Regul., open Ends
77772 / VT-PS12DCDT	PSU 12VDC/0,5A, Regulated, Desktop Version, 1.8m Cable each w. open ends

(Accessories continued)

**70448 / VT-PS12DC-6**

Plug-in Power Supply Unit 100-240VAC 12VDC (1.0Amp),  
Regulated, w. Open Ends



Maße/Dimensions: mm

VIDEOR TECHNICAL E. Hartig GmbH  
 Carl-Zeiss-Straße 8 · 63322 Rödermark · Germany  
 Telefon +49 (0) 60 74/8 88-0 · Telefax +49 (0) 60 74/8 88-100  
 info@videortechnical.com · www.videortechnical.com

