

Video Security



Housings | eneo Board Camera Housings

WDDG-2

Dome Surface Mount Housing for Board Camera, Pantone Coolgray 1C

Art-No. 71494



Features

For Wall and Ceiling Surface Mount
Clear Lexan Bubble with Inner Liner
For Board Cameras upto 42x42 mm
Vandal and Tamper-Resistant

Manual 3-axis Camera Adjustment
For Easy Indoor and Outdoor Installation
Housing Finish: Pantone Coolgray 1C

Specifications

Bubble	Vandal resistant 3 mm clear polycarbonate bubble with inner liner
Camera fixing	Board cameras upto 42 (L) x 42 (W) x 65 (H) mm
Camera mount	On a turn and tiltable mounting bracket; Adjustment range: 360° (H), 0 to 90° (V)
Heater	-
Voltage input	40 VAC max.
Cable entry	3/4" and 1/2" thread for conduit glands, lock stopper included
Protection rating	IP65 (at installation according to the manual)
Mounting	Wall & ceiling surface mount
Housing	Die-cast aluminium with clear polycarbonate bubble
Colour	Pantone Coolgray 1C
Dimensions (HxWxD)	See drawing
Weight	720 g
Parts supplied	Mounting kit, 1/2" gland, Blind covers, Torx wrench key

Accessories

77779 / VT-PS12DC-UK	Power Supply Unit w. UK Mains plug-in, 100-240VAC/12VDC-1.0A, Regul., open Ends
-----------------------------	---

(Accessories continued)

70448 / VT-PS12DC-6

Plug-in Power Supply Unit 100-240VAC 12VDC (1.0Amp),
Regulated, w. Open Ends

71664 / WDDG2/H12

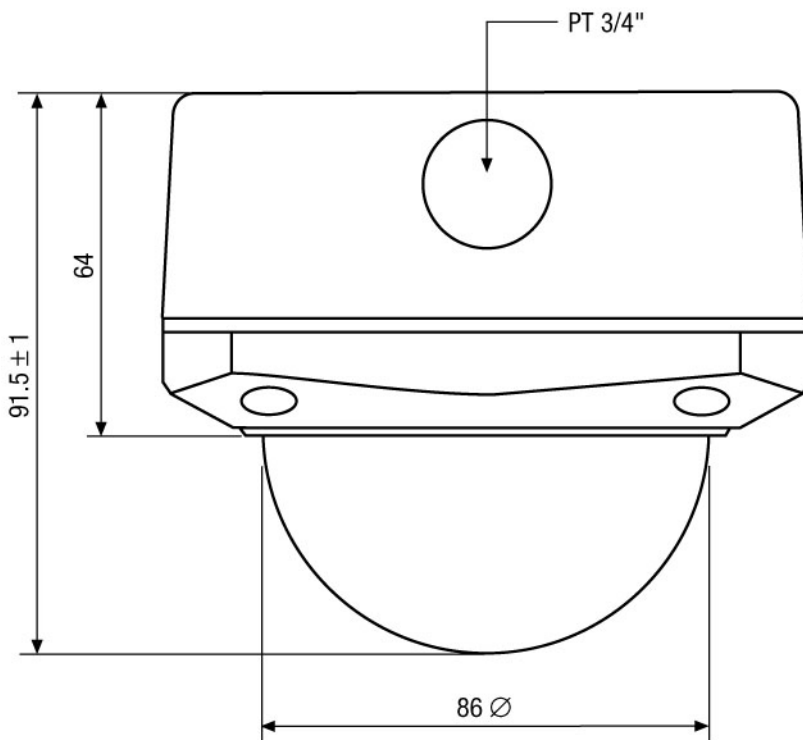
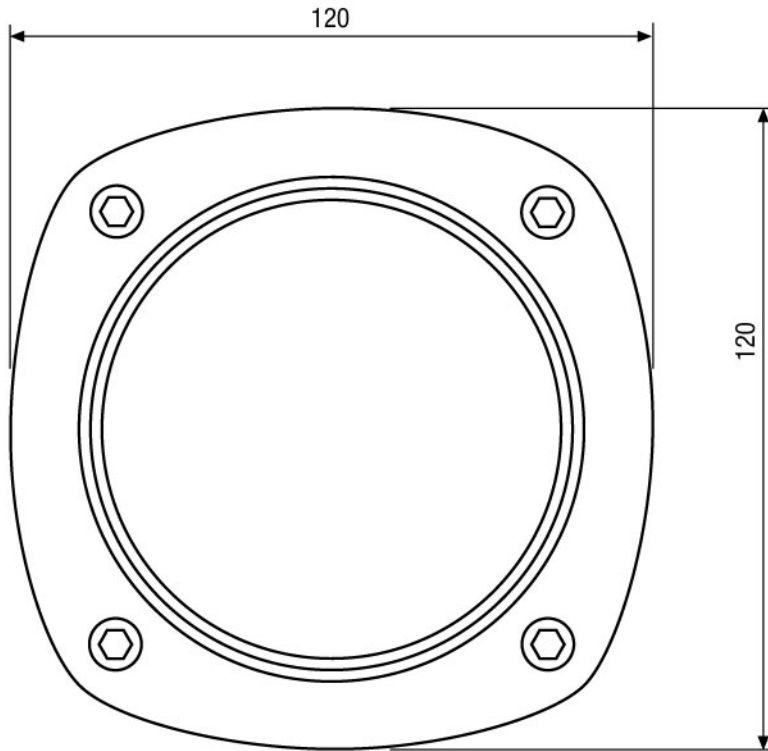
Low Voltage Heater Kit 12V/8W for WDDG-2 housing

73844 / FW7362/12

Plugable AC/DC Adapter 100-240V/12VDC-2.5A, Regulated

88149 / 3/4" - M25X1.5

Thread Adapter 3/4" - Conduit Connection M25x1.5mm
for Dome Surface Mount Housing



Maße/Dimensions: mm

VIDEOR TECHNICAL E. Hartig GmbH
 Carl-Zeiss-Straße 8 · 63322 Rödermark · Germany
 Telefon +49 (0) 60 74/8 88-0 · Telefax +49 (0) 60 74/8 88-100
 info@videortechnical.com · www.videortechnical.com