

# Video Security

Housings | eneo Board Camera Housings

## WDDG-1

Dome Wall/Ceiling Flush Mount Housing  
for Board Cameras, Pantone Coolgray 1C

Art-No. 71493



## Features

For In-ceiling Mount

Clear Lexan Bubble with Inner Liner

For Board Cameras upto 42x42 mm

Vandal and Tamper-Resistant

Manual 3-axis Camera Adjustment

For Easy Indoor Installation

Housing Finish: Pantone Coolgray 1C

## Specifications

**Bubble**

Vandal resistant 3 mm clear polycarbonate bubble with inner liner

**Camera fixing**

Board cameras upto 42 (L) x 42 (W) x 65 (H) mm

**Camera mount**

On a turn and tiltable mounting bracket; Adjustment range: 360° (H), 0 to 90° (V)

**Heater**

-

**Voltage input**

40 VAC max.

**Cable entry**

2x 8mm holes with rubber glands

**Protection rating**

IP65 (at installation according to the manual)

**Mounting**

In-ceiling mount

**Housing**

Die-cast aluminium with clear polycarbonate bubble

**Colour**

Pantone Coolgray 1C

**Dimensions (HxWxD)**

See drawing

**Weight**

600 g

**Parts supplied**

Mounting kit, Torx wrench key

## Accessories

73844 / FW7362/12

Plugable AC/DC Adapter 100-240V/12VDC-2.5A, Regulated

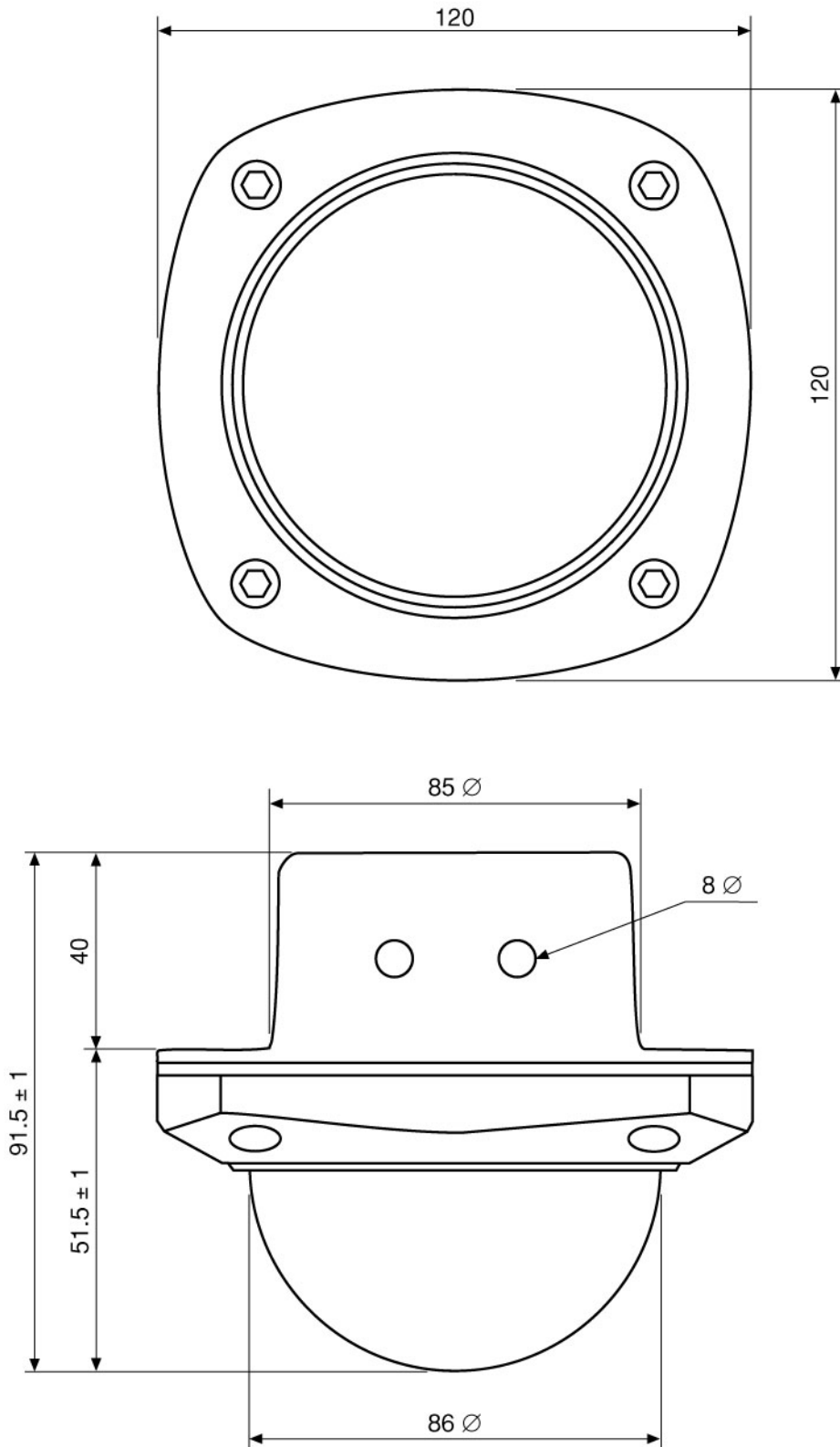
77779 / VT-PS12DC-UK

Power Supply Unit w. UK Mains plug-in,  
100-240VAC/12VDC-1.0A, Regul., open Ends

## WDDG-1

(Accessories continued)

<b>70448 / VT-PS12DC-6</b>	Plug-in Power Supply Unit 100-240VAC 12VDC (1.0Amp), Regulated, w. Open Ends
<b>77772 / VT-PS12DCDT</b>	PSU 12VDC/0,5A, Regulated, Desktop Version, 1.8m Cable each w. open ends
<b>74097 / EDMC/CWB</b>	Wall or Pendant Mount Kit for EDMC Dome Camera and WDDG-1 Series



Maße/Dimensions: mm

VIDEOR TECHNICAL E. Hartig GmbH  
Carl-Zeiss-Straße 8 · 63322 Rödermark · Germany  
Telefon +49 (0) 60 74/8 88-0 · Telefax +49 (0) 60 74/8 88-100  
info@videortechnical.com · www.videortechnical.com