

## Video Security



**WD-9N**  
Wall Mount with Ball Joint,  
1/4" Camera Fixing Screw, Black Finish  
**Art-No. 70023**



### Features

**For Wall Mounting**  
**Rugged Aluminium Construction**

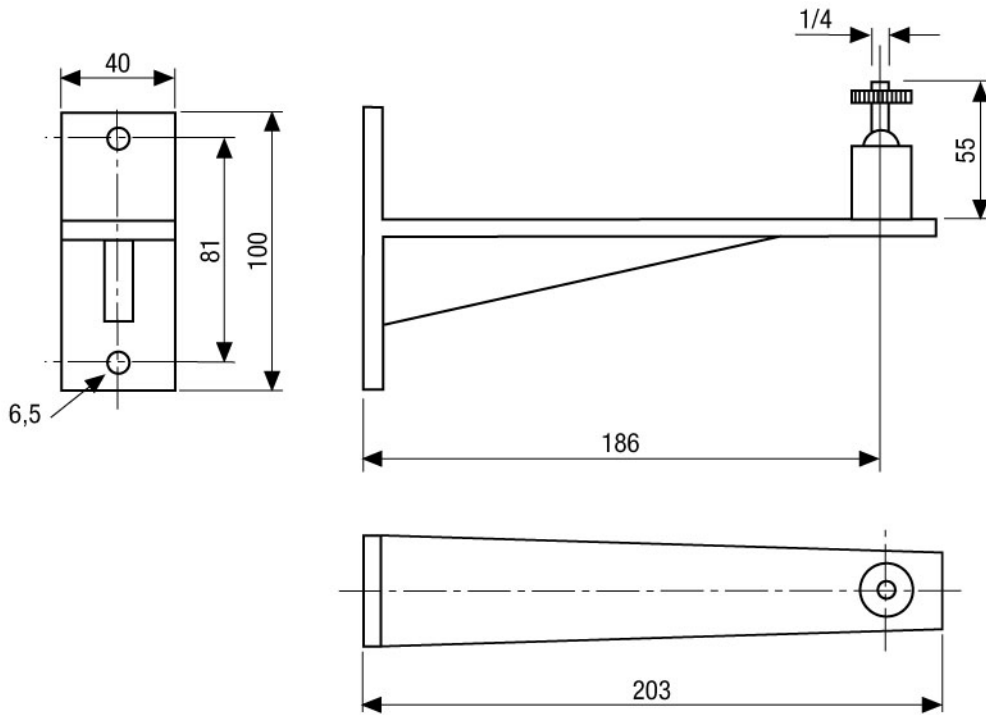
**Adjustable Ball Head**  
**Ready for Installation**

### Specifications

<b>Mounting distance from fixing point to wall</b>	203mm
<b>Load capacity</b>	350g
<b>Camera mount</b>	1/4" - 20 UNC thread
<b>Material</b>	Aluminium
<b>Colour</b>	Black
<b>Weight</b>	260g

### Accessories of

<b>73826 / WFL-II/LED15-12</b>	LED-Infrared Illuminator 950nm, Wide Flood, 15W, 12VDC
--------------------------------	--



Maße/Dimensions: mm