



Mounts for Weatherproof Housings

FDP-No.: 73011

WD-2N/MK

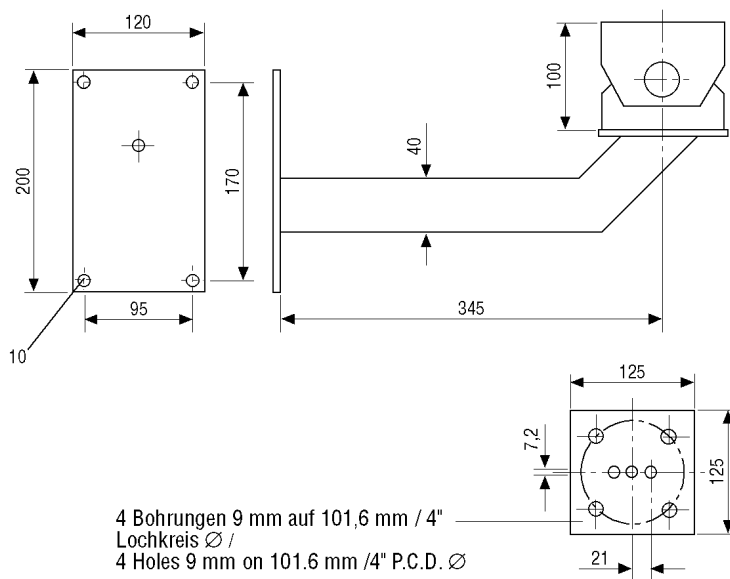
- For Wall Mounting
- For Weatherproof Housings
- Swivel Head with Large Adjustment Range
- Rugged Construction
- Ready for Installation



Specifications:

Load capacity	8 kg
Mounting distance from fixing point	345 mm
Material	Steel
Colour	RAL 7032
Dimensions (HxWxD)	See drawing
Weight	3.5 kg

Accessories	
EDP No. / Type	Description
73042 CMA-1	Corner Mount adapter for wall bracket WD-2N



Maße/Dimensions: mm