

WD-24

Home | Security | Cameras | Accessories

WD-24

Wall Mount with adjustable Swivel Head,

1/4" Camera Fixing Screw, Black Finish

Art-Nr. 70772



Main Features

For Wall- and Ceiling Mounting
Rugged Construction
Adjustable Ball-point Head

Cable Leading thru the Wall Mount Plate
Ready for Installation

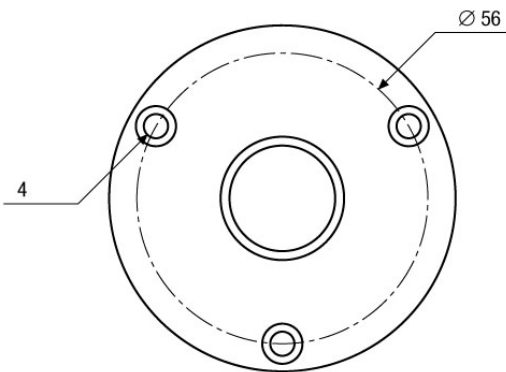
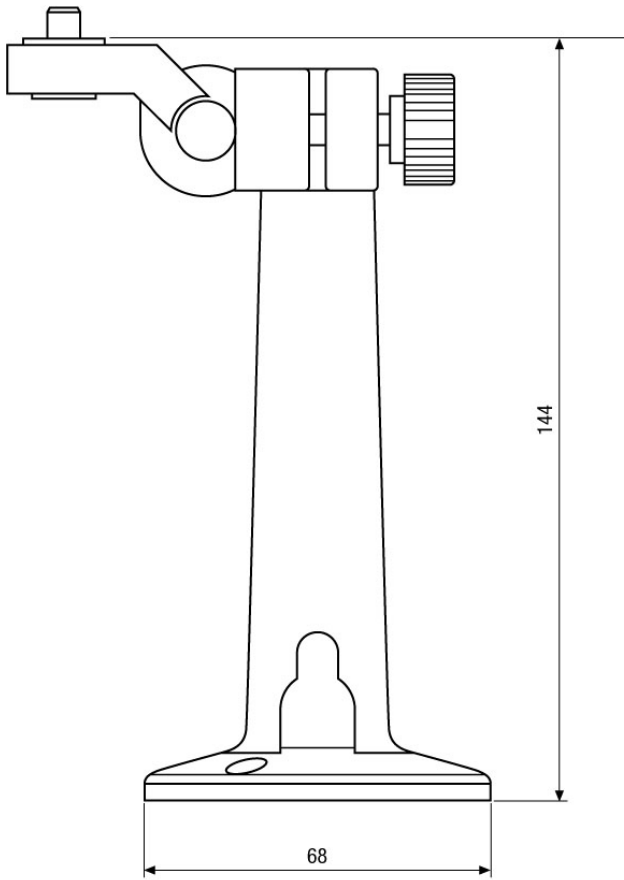
Specifications

Mounting distance from fixing point to ceiling	115mm
Mounting distance from fixing point to wall	110/155mm
Tilt range	0 ~-90°
Load capacity	1.5kg max.
Camera mount	1/4" - 20 UNC thread
Material	Aluminium/Plastic
Colour	Black
Dimensions (HxWxD)	See drawing
Weight	Approx. 90g
Parts supplied	3x 3.5x20mm self-tapping screws

WD-24

Home | Security | Cameras | Accessories

Technical drawing



Maße/Dimensions: mm