

Video Security

Cameras | Mounts for Cameras

WD-22

Wall Mount Bracket with Ball Joint,
1/4" Camera Fixing Screw, Beige Grey

Art-No. 70769



Features

For Wall- and Ceiling Mounting
Rugged Plastic Construction

Adjustable Ball-point Head
Ready for Installation

Specifications

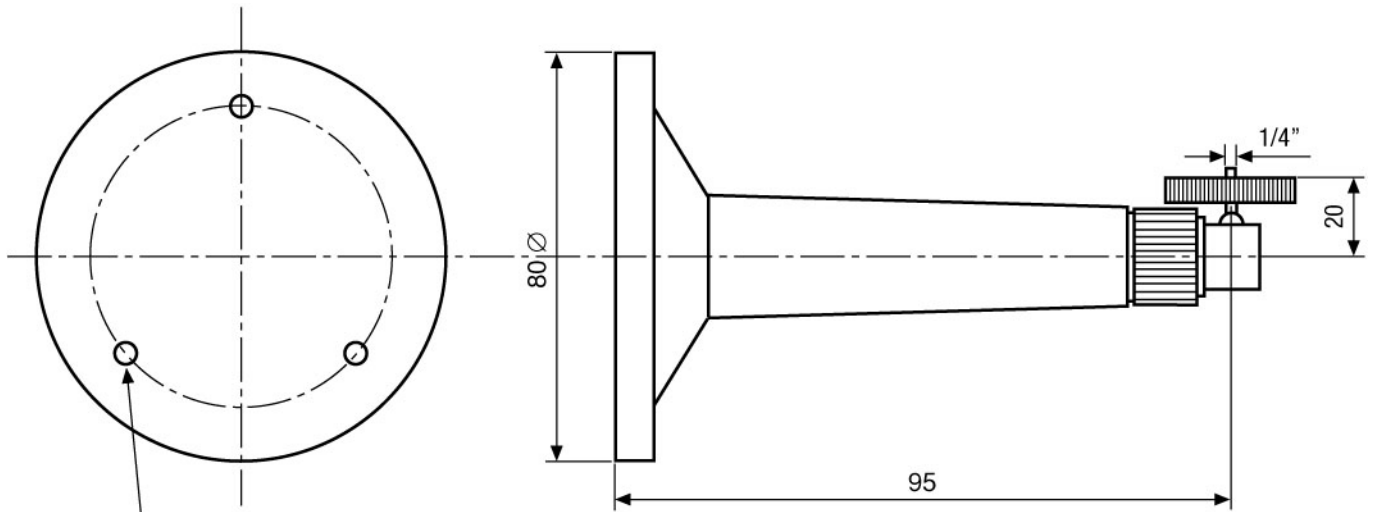
Mounting distance from fixing point	95 (Wall) / 120 (Ceiling) mm
Load capacity	0.5kg
Camera mount	1/4" - 20 UNC thread
Material	Plastic (ABS)
Colour	Beige
Weight	40g

Accessories of

91519 / VKC-134/1	1/3" Colour Camera with RS-232 Port DSP, 12VDC, 480TVL
92464 / CG-202PA1V	1/3" Color CCD Wide Dynamic Range Camera 60dB, 12VDC/24VAC, 480TVL
91892 / VKC-1319IR12-24	1/3" Day/Night Camera with Switchable IR Cut Filter, DSP, 12VDC/24VAC, 510TVL
91927 / VK-1315S/12V	1/3" B/W Camera 12VDC, 380TVL
91929 / VK-1315S/230V	1/3" B/W Camera 230VAC, 380TVL
91931 / VK-1316S/12V	1/3" B/W Camera, 12VDC, 570TVL
91932 / VK-1316S/24V	1/3" B/W Camera 24VAC, 570TVL
91933 / VK-1316S/230V	1/3" B/W Camera 230VAC, 570TVL
91934 / VKC-1310S/230V	1/3" Colour Camera DSP, 230VAC, 330TVL
91951 / VKC-1310S/12-24	1/3" Colour Camera DSP, 12VDC/24VAC, 330TVL
91952 / VKC-1311S/12-24	1/3" Colour Camera DSP, 12VDC/24VAC, 480TVL
91935 / VKC-1311S/230V	1/3" Colour Camera DSP, 230VAC, 480TVL

(Accessories of continued)

91937 / VKC-1319/IR	1/3" Day/Night Camera with Switchable IR Cut Filter, DSP, 230VAC, 510TVL
91918 / VKC-1320	1/3" Colour Camera with Built-in 3.3-8mm Vario Lens, DSP, 230VAC, 480TVL
92465 / VKC-1321	1/3" Colour Camera DSP, 12VDC/24VAC, 480TVL
92468 / CG-321CA1V	1/3" B/W Camera, DSP, 12VDC/24VAC, 580TVL
92486 / CG-311PA1V	1/3" Day/Night Camera with Switchable IR Cut Filter, DSP, 12VDC/24VAC, 480TVL
91963 / VKC-1328	1/3" Colour Camera, DSP, 12VDC, 480TVL
91967 / VKC-1330IR12-24	1/3" Day/Night Camera, DSP, EDR, RS-485, Rem. IR Cut Filter, 12VDC/24VAC, 510TVL
91968 / VKC-1330/IR	1/3" Day/Night Camera, DSP, EDR, RS-485, Rem. IR Cut Filter, 230VAC, 510TVL
91939 / VKC-1325	1/3" Colour Camera w. Pixim Technologie, PAL/NTSC, 12VDC/24VAC, 480TVL
91977 / VKC-1320/12-24	1/3" Colour Camera with Built-in 3.3-8mm Varifocal Lens, DSP, 12VDC/24VAC, 480TVL
92488 / CG-301PA1V	1/3" Day/Night Multifunction Camera with WDR, OSD, DSS, 12VDC/24VAC, 480TVL
91984 / VKC-1337/IR	1/3" Day/Night Camera w. IR Illumination F1.2/3.8-9.5mm, 480TVL, 12VDC/24VAC
92493 / CG-531PA1V	1/3" Colour Camera with DSP, AGC, APC BLC, ESC, AWB, 12VDC/24VAC, 540TVL
92494 / CG-532PA1V	1/3" Colour Camera with DSP, AGC, APC BLC, ESC, AWB, 230VAC, 540TVL
92495 / CG-511PA1V	1/3" Day/Night Camera with Switchable IR Cut Filter, DSP, 12VDC/24VAC, 540TVL
92496 / CG-512PA1V	1/3" Day/Night Camera with Switchable IR Cut Filter, DSP, 230VAC, 540TVL
92061 / VKC-1345	1/3" Colour Camera with DSP, AGC, APC BLC, ESC, AWB, 230VAC, 550TVL
92062 / VKC-1345/12V	1/3" Colour Camera with DSP, AGC, APC BLC, ESC, AWB, 12VDC, 550TVL
92064 / VKC-1341/12-24	1/3" Colour Camera, HighRes 540TVL, 12VDC/24VAC
91523 / ENC-1004L	1/3" Network Colour Camera w. CS Mount, integr. Web Server, 5VDC/230VAC, 480TVL
91423 / ENC-501L	1/3" Network Colour Camera w. CS Mount, integr. Web Server, 5VDC/230VAC, 340TVL
92079 / VKC-1341A	1/3" Colour Camera, HighRes 540TVL, 100-240VAC
92087 / VKC-1340A/12-24	1/3" Day/Night Camera, HighRes 540TVL, Removable IR Cut Filter, 12VDC/24VAC
92088 / VKC-1340A	1/3" Day/Night Camera, HighRes 540TVL, Removable IR Cut Filter, 100-240VAC
92069 / VKC-1350/12-24	1/3" D&N, WDR, DSS Camera with Removable IR CF, CS Mount, 12/24V, 480TVL
92071 / VKC-1350	1/3" D&N, WDR, DSS Camera with Removable IR CF, CS Mount, 230VAC, 480TVL



3 Bohrungen: 6 mm
auf Lochkreis: 62 mm

3 Holes: 6 mm
on P.C.D.: 62 mm

Maße/Dimensions: mm

VIDEOR TECHNICAL E. Hartig GmbH
 Carl-Zeiss-Straße 8 · 63322 Rödermark · Germany
 Telefon +49 (0) 60 74/8 88-0 · Telefax +49 (0) 60 74/8 88-100
 info@videortechnical.com · www.videortechnical.com