

WD-18

Home | Security | Cameras | Accessories

WD-18

Wall Mount with Ball Joint,

1/4" Camera Fixing Screw, Beige Grey

Art-Nr. 70688



Main Features

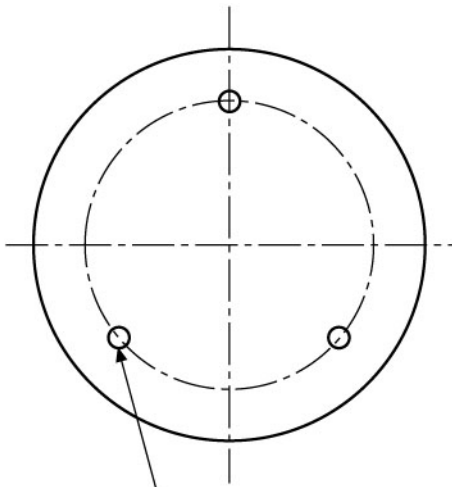
For Wall- and Ceiling Mounting
Rugged Plastic Construction

Adjustable Ball-point Head
Ready for Installation

Specifications

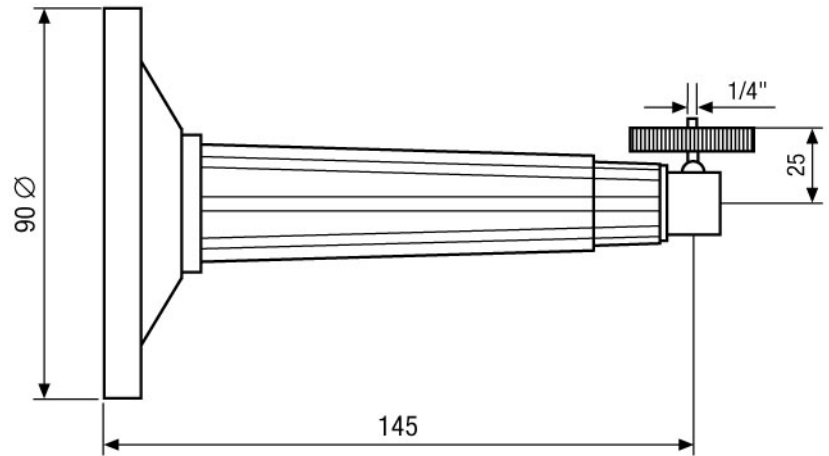
Mounting distance from fixing point	145 (Wall) / 165 (Ceiling) mm
Load capacity	500g
Camera mount	1/4" - 20 UNC thread
Material	Plastic (ABS)
Colour	Beige
Weight	150g

Technical drawing



3 Bohrungen: 5 mm
auf Lochkreis: 70 mm

3 Holes: 5 mm
on P.C.D.: 70 mm



Maße/Dimensions: mm