



WD-16/MK-W

Article-No.: 73177

Wall Mount with Swivel Head
for VHM Weatherproof Housings,
RAL9016

Mainfeatures


For wall mounting
Hidden cable harness
Swivel head with large adjustment range

For weatherproof housings (VHM housings preferred)
Rugged aluminium construction
Ready for installation

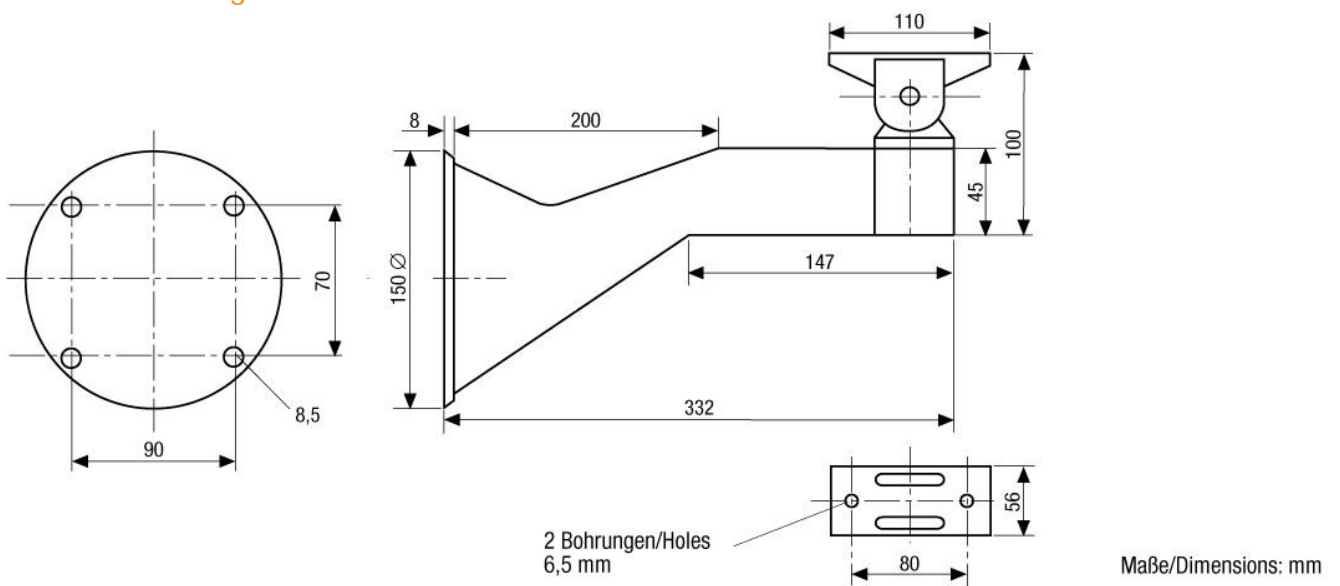
Specifications

Mounting distance from fixing point	300mm
Turning range of the swivel head	360°
Tilt range	approx. 50°
Load capacity	8kg
Material	Aluminium
Colour	RAL9016
Dimensions (HxWxD)	see drawing
Weight	1.3kg

Optional Accessories

Image	Artikel-Nr. / Typ	Description
	PM-51-W	Pole Mount Kit for WD-16/MK-W, RAL9016

Technical Drawing



Your partner for eneo products:

