



WD-12-WA

Article-No.: 70835

Wall Mount with Ball Joint,
1/4" Camera Fixing Screw,
140mm, RAL9006

Mainfeatures

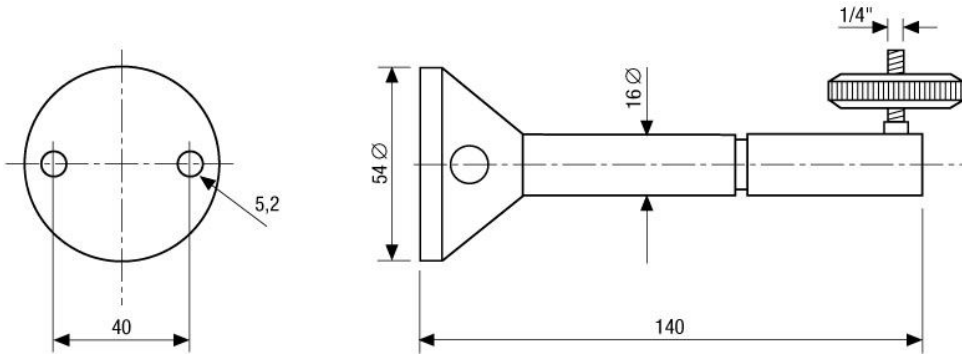
For wall and ceiling mounting
Adjustable ball-point head

Rugged aluminium construction
Ready for installation

Specifications

Mounting distance from fixing point	140mm
Load capacity	500g
Camera mount	1/4" - 20 UNC thread
Material	Aluminium
Colour	RAL9006
Weight	220g

Technical Drawing



Maße/Dimensions: mm

Your partner for eneo products:

