

# VTL-DPW

Home | Security | Housings | for Boxed Cameras

VTL-DPW

Dustproof Housing (300mm) with Wallbracket,

RAL9002

Art-Nr. 79489



## Main Features

**Dustproof Housing**  
With Integrated Wall Bracket  
Housing Body Length: 300 mm

**Insulated camera mounting**  
**Cable Entries Through the Wall Bracket**  
**Protection Rating: IP66**

## Specifications

Series	eneo VTL
Maximum installation length	300
Cable entries	Through wall bracket
Clear Shield	no
Window heater	optional
Blower	optional
Wiper	no
Sunshield	no
Hidden cable management	yes
Integrated wall mount	yes
Protection rating	IP66
Housing	indoor
Housing material	aluminium
Colour (housing)	RAL9002
Dimensions (HxWxD)	see drawing
Weight	3.8kg

# VTL-DPW

## Optional accessories

79662

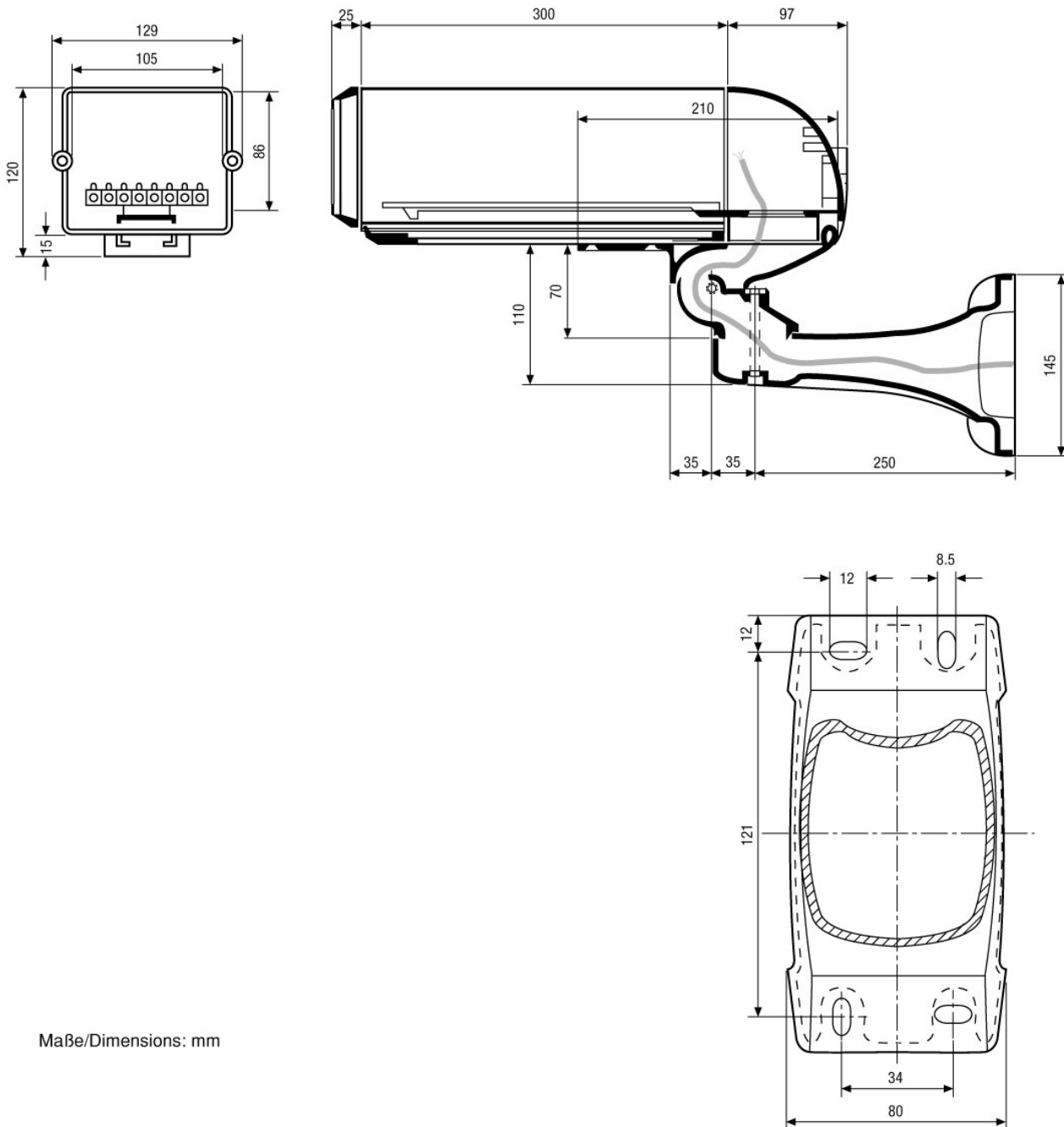
NE-130/12V

Power Supply Unit 230V/12VDC-1.25A for Housings VTL-WWA

# VTL-DPW

Home | Security | Housings | for Boxed Cameras

## Technical drawing



Maße/Dimensions: mm