



VT-PS12DC-10

Article-No.: 70543

Plugable AC/DC Adapter
100-240V/12VDC- 2.5A, stab.,
Cont. & UK Mains plug-ins

Mainfeatures

Mains input: 110-240VAC/50Hz
Voltage output: 12VDC/2.5A, regulated

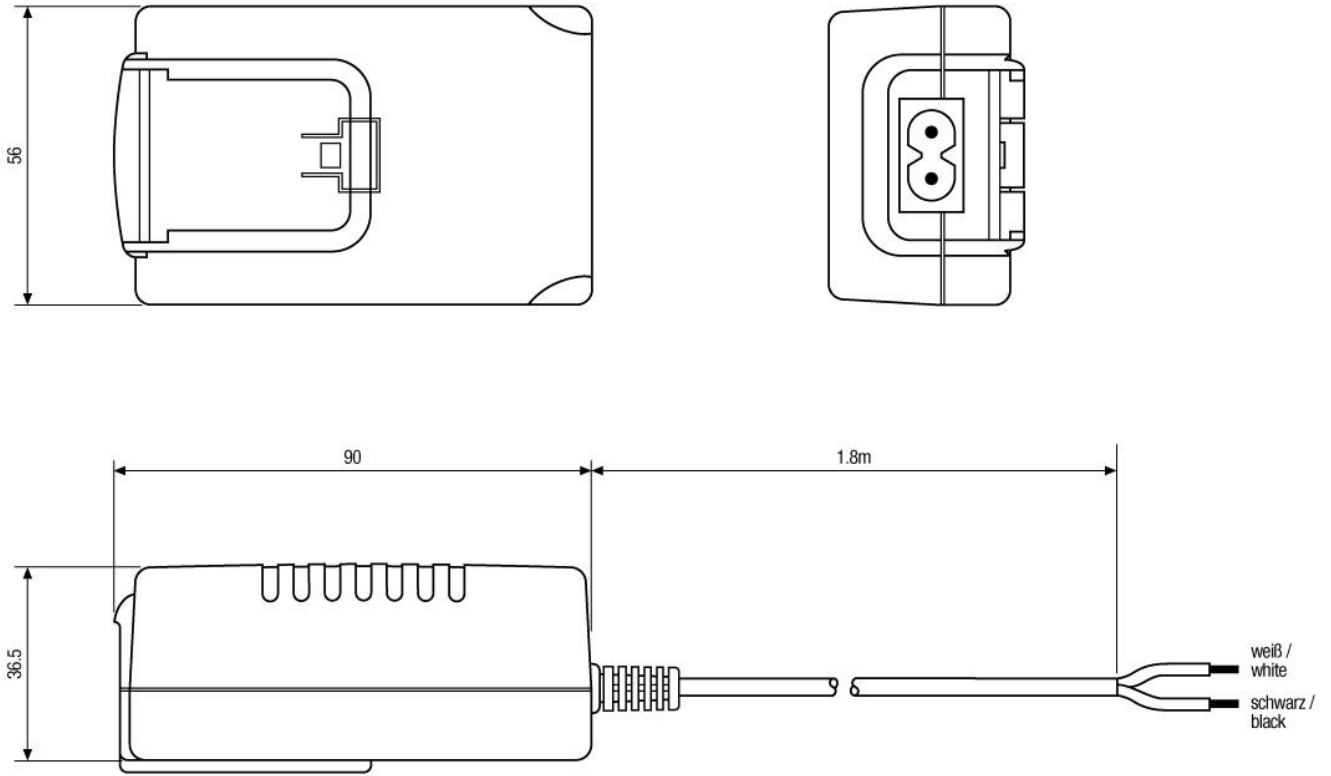
Interchangeable mains contact insert
Secondary cable with open ends

Specifications

Certificates

CE

Technical Drawing



Maße/Dimensions: mm

Your partner for eneo products:

