



Compact & Indoor Housings

EDP-No.: 70740

VT-CH200

- **Installation in Place of a 2'x 2' Ceiling Tile**
- **Manual 360° Rotatable and Lockable in any Position**
- **Adjustable Camera Socket**
- **Fiber-reinforced Plastic Construction (Flame-retarding per VO 94)**



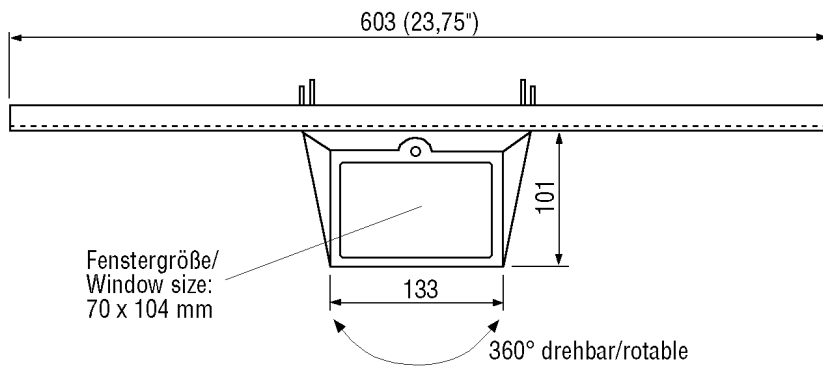
Specifications:

Angle of rotation	360°
Window screen	Acrylic glass (clear)
Max. length of the camera combination	280 mm
Housing	Plastic
Colour	Ivory
Dimensions (HxWxD)	101x603x603 mm
Weight	4,5 kg

Additional descriptions

Camera bracket is included

Vorderansicht/Front view:



Seitenansicht/
Side view:

