

Video Security

P/T Systems | eneo P/T Heads with Telemetry

VPT-501

Pan/Tilt Head, 100°/sec. max., RS-485,
24VAC, Multiple Protocol Interface

Art-No. 75302



Features

12kg Load Capacity
Speed 100°/sec. max.
Horizontal Rotation Range +/-185°
Backlash <0,2°
64 Presets
Autopan Function

RS-485 Serial Interface (Multiple Protocol)
Supply Voltage 24VAC, 50/60Hz
Protection Rating IP66
Housing Finish RAL7032
Maintenance-free
Option: Thermostatically Controlled Heater

Specifications

| | |
|--------------------------------------|---|
| Load capacity | 12kg, (load assembly in the horizontal and vertical center of gravity required) |
| Speed range at manual control | 0 ~ 100° horizontal, 0 ~ 50° vertical. 0 to 100°/sec.: 0.22sec. |
| Preset speed | 0 ~ 100° horizontal, 0 ~ 50° vertical. 180° positioning needs 2.5sec. (at max. speed) |
| Rotation range | 359° |
| Tilt range | +/-90° |
| Backlash | <0.2° |
| Limit switch control | By external PC configuration Software |
| Autopan | yes |
| Pattern | no |
| Positioned freely | yes |
| Number of presets | 64 |
| Serial interfaces | RS-422, RS-485 |
| Protocols | VT, Pelco D&P, Siemens, Philips, with selectable Baud rate. Other protocols: upon request |

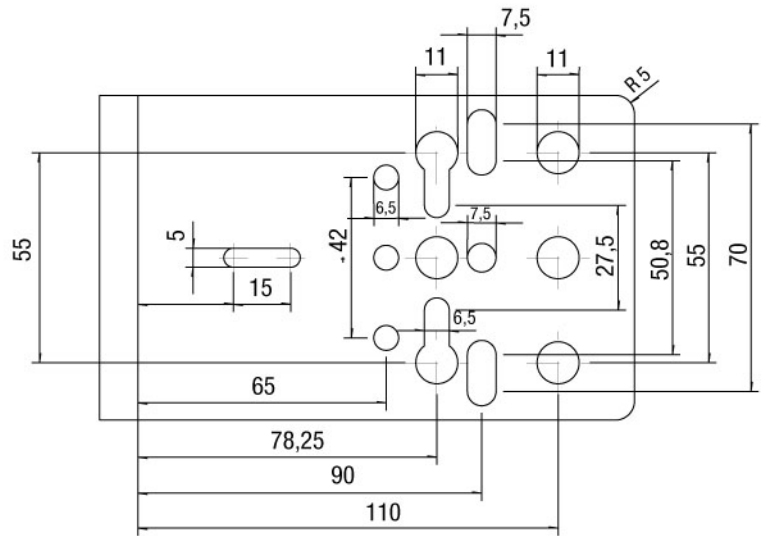
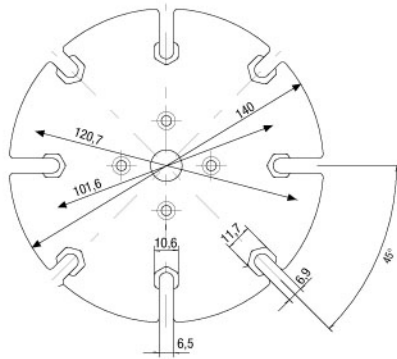
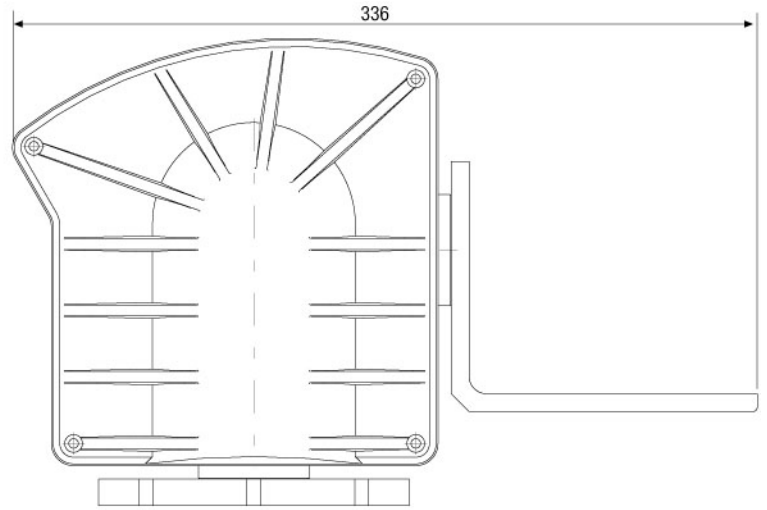
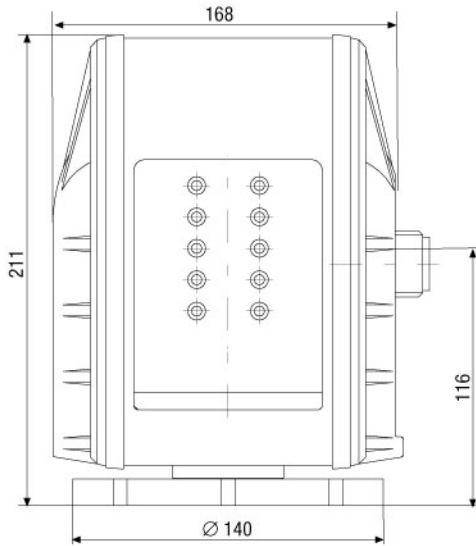
VPT-501

(Specifications continued)

| | |
|---|--|
| Relay output | Aux 1~3 (open collector). Aux 1+2 control 2 Relais on R&D board. Usable for diagnose functions: Position feedback, endposition condition (active/inactive), Inside temperature, motor and camera supply voltage (42VDC, 12VDC) |
| Connectors | 13pin and 24pin sockets |
| Supply voltage for lenses | 4 ~ 11.5VDC |
| Camera voltage supply | 12VDC, 24VAC; 1.0A |
| Supply voltage | 24VAC, 24VAC +10%/-25%, 50/60 Hz |
| Power consumption | 120W max. (incl. Camera and Heater) |
| Temperature range (Operation) | -20°C ~ +60°C |
| Temperature range with built-in heater | -40°C ~ +60°C |
| Heater | optional, 24 VAC/24 W |
| Mounting of illuminator possible | optional |
| Mounting | Upright or upside down |
| Protection rating | IP66 |
| Housing material | aluminium |
| Housing | Aluminium frame with plastic covers |
| Colour (housing) | RAL7032 |
| Colour | C-0 anodized / RAL7032 |
| Weight | 8.0kg |
| Parts supplied | Screw set, 13pin / 24pin connectors, Allen key (5mm), PC Setup and Control Software on CD ROM |
| Special features | No mechanical end switches, no potentiometer for positioning feedback. Stop position control configuration made by PC Control Software (included). Absolute positioning |

Accessories

| | |
|----------------------------|---|
| 73099 / WD-2N1 | Wall Bracket for Pan/Tilt Heads VPT-40/41/42, RAL7032 |
| 73152 / WD-29 | Wall Bracket for Pan/Tilt Heads VPT Series, RAL7032 |
| 73139 / MK-21 | Pole Column Spacer for Pan/Tilt Heads, 200mm Height, RAL7032 |
| 77488 / VPT/IRB-4L | L-Bracket for VPT-40/41/42 RAL7032 |
| 77489 / VPT/IRB-4T | T-Bracket for VPT-40/41/42 RAL7032 |
| 70457 / AK-3 | Camera Connection box, 230VAC Input 24VAC-100W, 12VDC-1A Output |
| 70449 / NE-128 | Voltage supply unit 230V/24VAC-5A, IP66 |
| 75207 / EKR-KB1 | Universal Keyboard for Matrix Switchers EKR Series, Pantone Coolgray 1C |
| 74089 / EDC-CR1 | Converter RS-232/RS-485, Repeater RS-485 |
| 71003 / LINE DRIVER | Converter RS232C/RS485 + DB9/DB25 Gendor Adapter |



Maße/Dimensions: mm

VIDEOR TECHNICAL E. Hartig GmbH
 Carl-Zeiss-Straße 8 · 63322 Rödermark · Germany
 Telefon +49 (0) 60 74/8 88-0 · Telefax +49 (0) 60 74/8 88-100
 info@videortechnical.com · www.videortechnical.com

