

Video Security

P/T Systems | eneo P/T Heads

VPT-40/24V
Pan/Tilt Head 24VAC
RAL7032
Art-No. 73205



Features

20 kg Load Capacity
Supply Voltage: 24 VAC
50/60 Hz Operation
Backlash: <math><0,2^\circ</math>
High Torques

Hardened Gears
Rugged Housing
No Maintenance Required
Protection Rating: IP 66
Options: Autopan, Heaters

Specifications

Load capacity	20 kg
Nominal voltage range	24 VAC (+20% to -10%)
Current consumption/motor (at 50 Hz)	285 mA
Max. torque at nominal speed	16.5 Nm horizontal / 33 Nm vertical (Running torques at 50 Hz)
Speed at nominal voltage	6°/sec. horizontal, 3°/sec. vertical (at 60 Hz: +20%)
Rotation range	360° horizontal, +/-90° vertical
Backlash	<math><0.2^\circ</math>
Limit switch control	Internally adjustable (Micro switchers)
Autopan function	No
Potentiometer on both axes	No
Mounting	Upright or inverted
Plug connections	7-pin socket
Protection rating	IP 66
Temperature range	-20°C to +70°C
Housing	Aluminium frame with plastic covers
Colour	C31 anodized / RAL 7032
Dimensions (HxWxD)	See drawing
Weight	6.5 kg

VPT-40/24V

(Specifications continued)

Parts supplied

Screw set, 7-pin connector, Allen wrench key (4 mm)

Accessories

73228 / VPT-40/24VHZ-K

Heating Kit for VPT-40/24VAC

77488 / VPT/IRB-4L

L-Bracket for VPT-40/41/42 RAL7032

77489 / VPT/IRB-4T

T-Bracket for VPT-40/41/42 RAL7032

73008 / WD-2N

Wall Bracket for Pan/Tilt Heads VPT-40/41/42, RAL7032

75354 / PTZF/G-EC

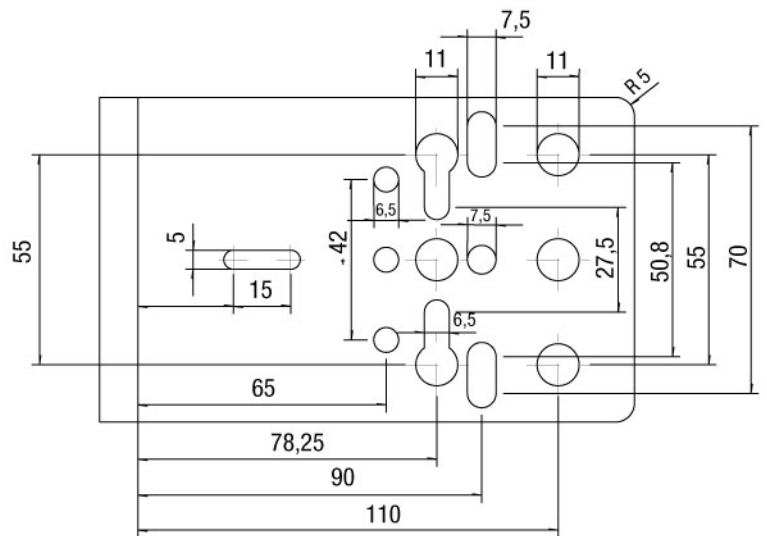
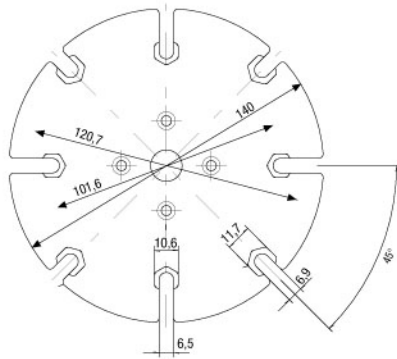
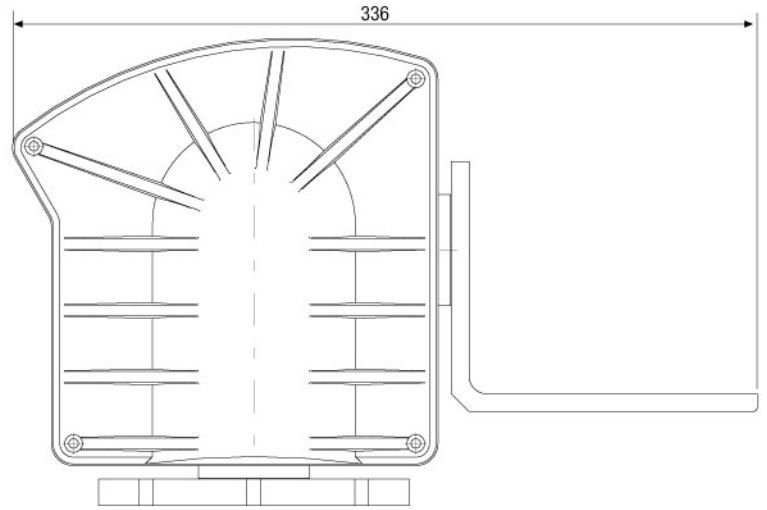
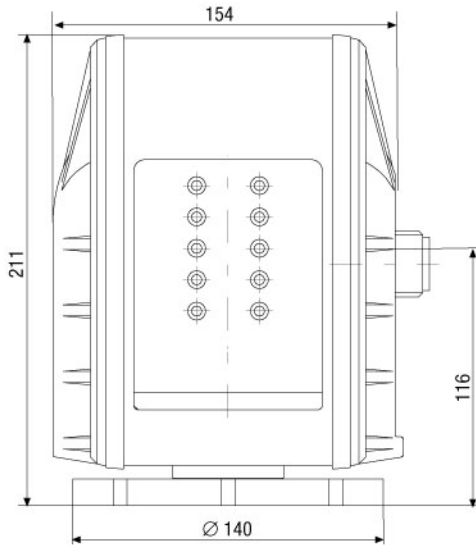
Control Unit for Pan/Tilt Head and Lens, 24VAC with Power Supply, RAL7032

70457 / AK-3

Camera Connection box, 230VAC Input 24VAC-100W, 12VDC-1A Output

73152 / WD-29

Wall Bracket for Pan/Tilt Heads VPT Series, RAL7032



Maße/Dimensions: mm

VIDEOR TECHNICAL E. Hartig GmbH
 Carl-Zeiss-Straße 8 · 63322 Rödermark · Germany
 Telefon +49 (0) 60 74/8 88-0 · Telefax +49 (0) 60 74/8 88-100
 info@videortechnical.com · www.videortechnical.com

