

VPT-40/230VHZ

Home | Security | Pan & Tilt Systems | Fixed Speed

VPT-40/230VHZ
Pan/Tilt Head with Heater, 230VAC, RAL7032,

Art-Nr. 73224



Main Features

20kg Load Capacity
Supply Voltage: 230VAC
50/60Hz Operation
Backlash: <math><0,2^\circ</math>
High Torques

Hardened Gears
Rugged Housing
No Maintenance Required
Protection Rating: IP66
Heaters as Standard

Specifications

Series	eneo VPT
Load capacity	20 kg, (load assembly in the horizontal and vertical center of gravity required)
Nominal voltage range	230VAC (+20% ~-10%)
Current consumption/motor (at 50 Hz)	30mA
Max. torque at nominal speed	16.5Nm horizontal / 33Nm vertical (Running torques at 50Hz)
Speed at nominal voltage	6°/sec. horizontal, 3°/sec. vertical (at 60 Hz: +20%)
Rotation range	359°, 359° horizontal, +/-90° vertical
Backlash	<math><0,2^\circ</math>
Limit switch control	Internally adjustable (Micro switchers)
Autopan	no
Pattern	no
Positioned freely	no
Potentiometer on both axes	No

VPT-40/230VHZ

(Continuation Specifications)

Serial interfaces	voltage
Plug connections	7pin socket
Supply voltage	230VAC
Temperature range (Operation)	-20°C ~+70°C
Temperature range with built-in heater	-40°C ~+70°C
Heater	yes, 230 VAC/24 W
Mounting of illuminator possible	optional
Mounting	Upright or upside down
Protection rating	IP66
Housing material	Aluminium, Plastic
Housing	Aluminium frame with plastic covers
Colour (housing)	Eloxal C0
Colour	C0 anodized / RAL7032
Dimensions (HxWxD)	See drawing
Weight	6.5kg
Parts supplied	Screw set, 7-pin connector, Allen key (4mm)

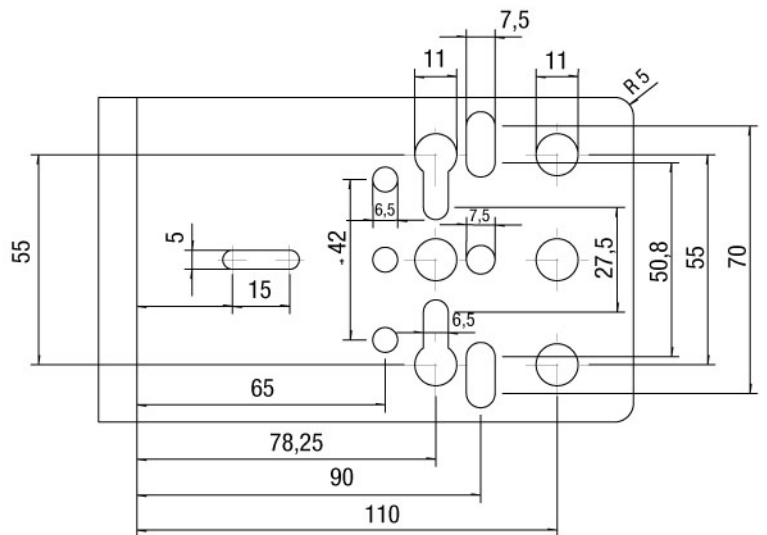
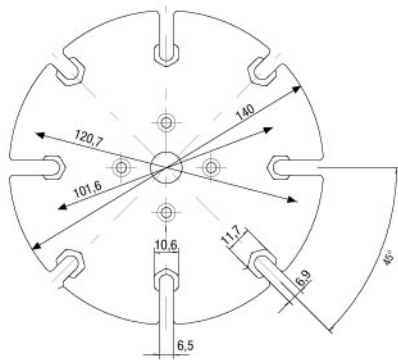
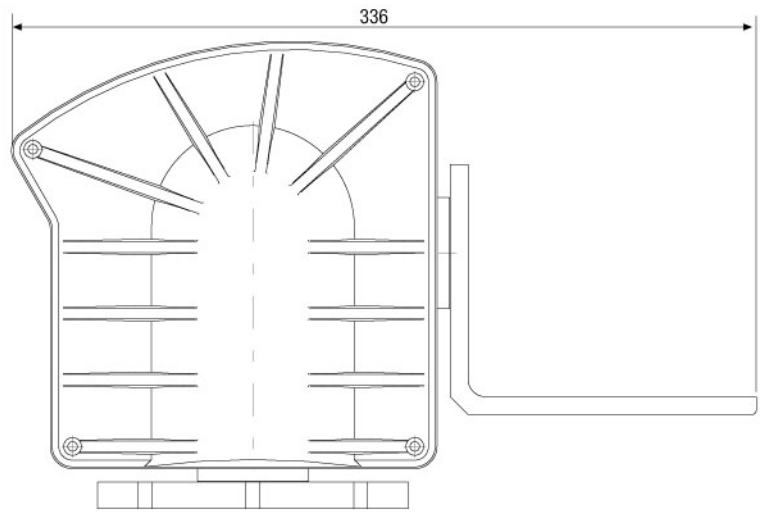
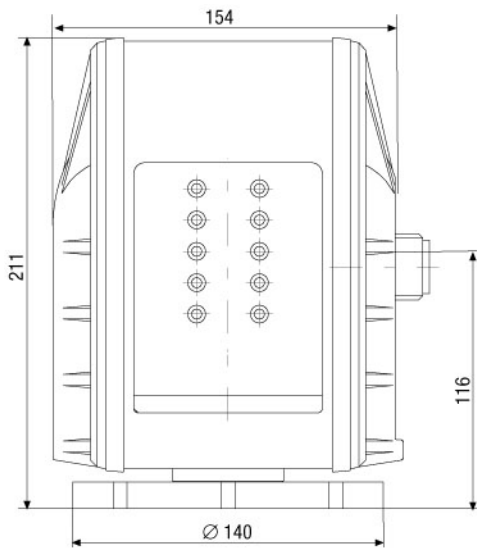
Optional accessories

70457	AK-3	Camera Connection box, 230VAC Input, 24VAC-3.2A, 12VDC-1A Outputs
73139	MK-21	Pole Column Spacer for Pan/Tilt Heads, 200mm Height, RAL7032
73157	WD-32	Wall Bracket for Pan/Tilt Heads VPT-40/501/601/651 Series, RAL7032
73099	WD-2N1	Wall Bracket for Pan/Tilt Heads VPT-40, RAL7032
77489	VPT/IRB-4T	T-Bracket for VPT-40, RAL7032
77488	VPT/IRB-4L	L-Bracket for VPT-40, RAL7032

VPT-40/230VHZ

Home | Security | Pan & Tilt Systems | Fixed Speed

Technical drawing



Maße/Dimensions: mm