

Video Security

P/T Systems | eneo P/T Heads with Telemetry

VPT-41RSP-P0

Pan/Tilt Head with Receiver Board
RS-485 and Potentiometer, 24VAC, RAL7032

Art-No. 73729



Features

20 kg Load Capacity
Supply Voltage: 24 VAC
Built-in Receiver/Driver Board (RS-485, P Prot.)
Backlash: <math><0,2^\circ</math>
High Torques

Potentiometers on Both Axes
Rugged Housing
No Maintenance Required
Protection Rating: IP 66
Option: Heaters

Specifications

Load capacity	20 kg
Supply voltage	24 VAC +/-10%, 50/60 Hz
Power consumption	23.8 watts
Max. torque at nominal speed	16,5 Nm horizontal / 33 Nm vertical (Running torques)
Speed at nominal voltage	Automatic recognition of potentiometer polarity
Rotation range	360° horizontal, +/-90° vertical
Backlash	<math><0,2^\circ</math>
Limit switch control	Internally adjustable (Micro switcher)
Autopan function	Yes
Potentiometer on both axes	Yes
Number of presets	64
Supply voltage for lenses	0.6-11.5 VDC, adjustable
Camera voltage supply	12 VDC/0.5 A (Option: 24 VAC)
Mounting	Upright or inverted
Plug connections	7-pin and 13-pin sockets
Serial port	RS-485 (Pelco P and D protocol)
Protection rating	IP 66
Temperature range	-20°C to +70°C
Temperature range with built-in heater	-40°C to +70°C

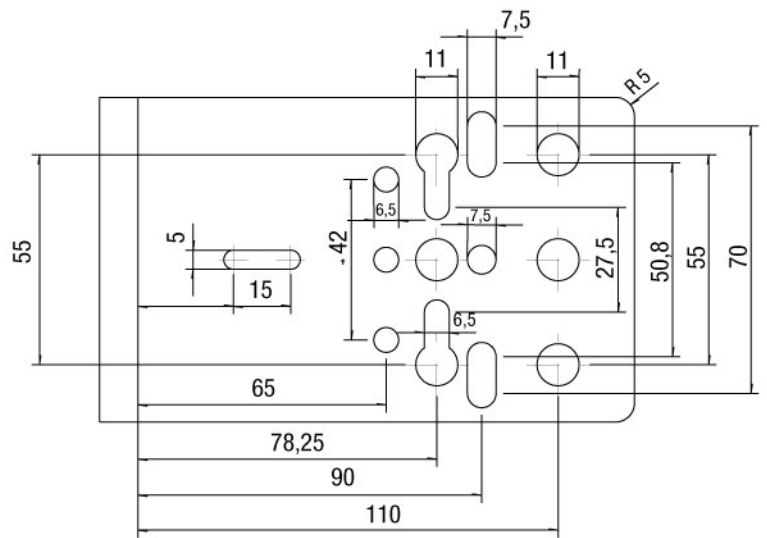
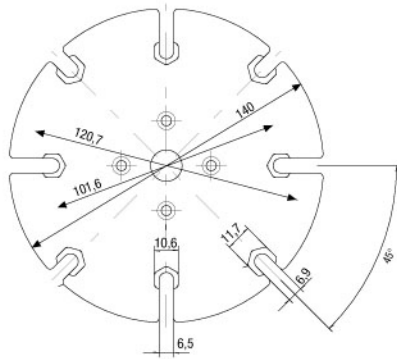
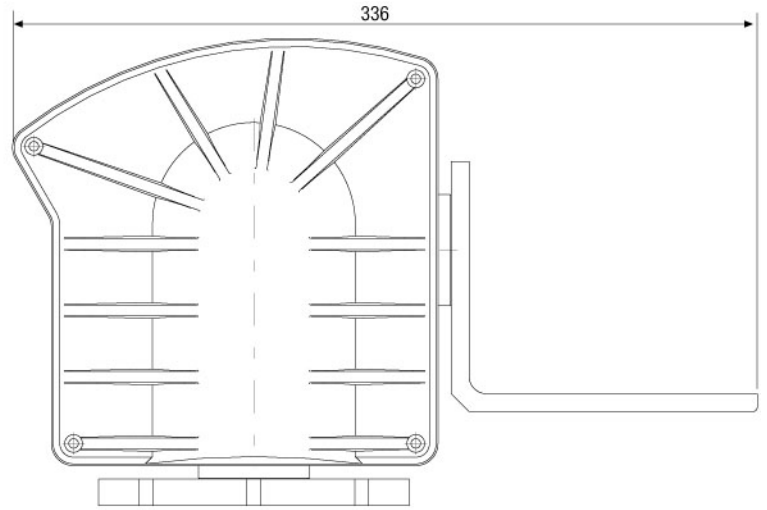
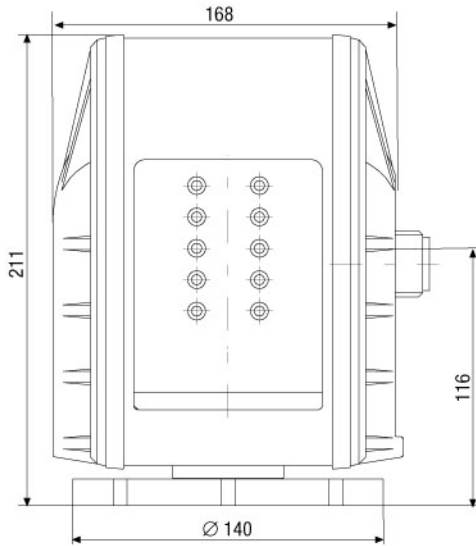
VPT-41RSP-PO

(Specifications continued)

Housing	Aluminium frame with plastic covers
Colour	C31 anodized/RAL 7032
Dimensions (HxWxD)	See drawing
Weight	7 kg
Special features	Automatic recognition of potentiometer polarity
Parts supplied	Screw set, 7-pin and 13-pin connectors, Allen wrench key (4 mm)

Accessories

77489 / VPT/IRB-4T	T-Bracket for VPT-40/41/42 RAL7032
77488 / VPT/IRB-4L	L-Bracket for VPT-40/41/42 RAL7032
73008 / WD-2N	Wall Bracket for Pan/Tilt Heads VPT-40/41/42, RAL7032
73527 / WCS1-4	Power Supply 230V/24VAC-28VAC (4A) in weatherproof Housing
73743 / KBD300A	System Keyboard with Joystick for Pelco Matrix Switchers CM6700/6800 and Esprit
73744 / KBD200A	System Keyboard for Pelco Matrix Switchers CM6700/6800 and Esprit Systems
73296 / VPT-41-42/HZ-K	Heating Kit for VPT-41/MC-RS and VPT-42/MC-RS
75207 / EKR-KB1	Universal Keyboard for Matrix Switchers EKR Series, Pantone Coolgray 1C
70449 / NE-128	Voltage supply unit 230V/24VAC-5A, IP66
74094 / EDC-COAX	Coax Telemetry Board for VPT-41/42, EDC/EDMC Series. assembled
70457 / AK-3	Camera Connection box, 230VAC Input 24VAC-100W, 12VDC-1A Output
73152 / WD-29	Wall Bracket for Pan/Tilt Heads VPT Series, RAL7032



Maße/Dimensions: mm

VIDEOR TECHNICAL E. Hartig GmbH
 Carl-Zeiss-Straße 8 · 63322 Rödermark · Germany
 Telefon +49 (0) 60 74/8 88-0 · Telefax +49 (0) 60 74/8 88-100
 info@videortechnical.com · www.videortechnical.com

