

Video Security

Monitors | eneo TFT/LCD Monitors

VMC-19LCD-P

19" LCD Profession. Colour Monitor, 1280 x1024Px., Comp., Y/C, RGB, 12VDC/230VAC

Art-No. 90430



Features

19" (48cm) Display Screen Size

PAL/NTSC Auto Selection

Multi Language On-screen Menu Control

Resolution: 1280x1024 Pixel (SXGA)

CVBS, S-Video, VGA and Audio Inputs

Quick Signal Switching

Integrated Loudspeakers

Supply Voltage: 12VDC/230VAC

Robust Metal Cabinet

Wall and Table Stand Mounting

ISO 13406-2 Certified (Ergonomic Standard)

Options: Table Stand/Mounting Brackets

Specifications

Video standard	PAL/NTSC (automatic selection)
Display element	Colour TFT/LCD
Screen size	19" (48cm)
Pixel format	1280(H) x 1024(V), RGB vertical stripes, 0.294x0.294mm
Pixel fault class	ISO 13406-2, Class II
Scanning method	Digital progressive scan (Frame/Motion mode)
Resolution	Y/C: >500TV lines VGA: 640x480 (60 to 75Hz) SVGA: 800x600 (56 to 75Hz) XGA: 1024x768 (60 to 75Hz) SXGA: 1280x1024 (60Hz)
Colour scales	16.7Mio (8bit)
Contrast ratio typical	1000:1
Brightness typical	250cd/m2
Viewing angle top	89°
Viewing angle right	89°
Viewing angle bottom	89°
Viewing angle left	89°
Light source	4CCFL
Response time typical	20ms, 20ms (tr/ tf)

VMC-19LCD-P

(Specifications continued)

PC interfaces	SXGA, Analog RGB (0.714Vp-p, 75ohms), H & V sync. (TTL), 15-pin D-Sub
Video inputs (type)	CVBS, Y/C, RGB
Video inputs	CVBS: 1Vp-p, 75ohms, BNC Y/C: Y= 0.7Vp-p, C= 0.3Vp-p, 75ohms, 4-pin MiniDIN. Loop-through inputs, automatic 75ohms termination
Audio inputs	2, 2x Cinch (Stereo)
Audio output power	2x 0.5watts
Menu languages	English, German, French, Spanish, Italian, Polish, Czech
Supply voltage	12VDC +/-5% (PSU 110V~240VAC included)
Power consumption	45watts
External adjustments	On-screen control, ON/OFF
Temperature range (Operation)	0 ~ +40°C
Housing material	aluminium
Colour (housing)	black
Dimensions (HxWxD)	362x419x54mm
Mount	VESA standard (4 threads M4, 75x75mm)
Weight	5.1kg
Parts supplied	PSU 110~240V/12VDC with power cord, VGA cable, Installation diskette, Multi-language manual
Certificates	TÜV-Ergo
Options	Table stand, Wall and ceiling brackets

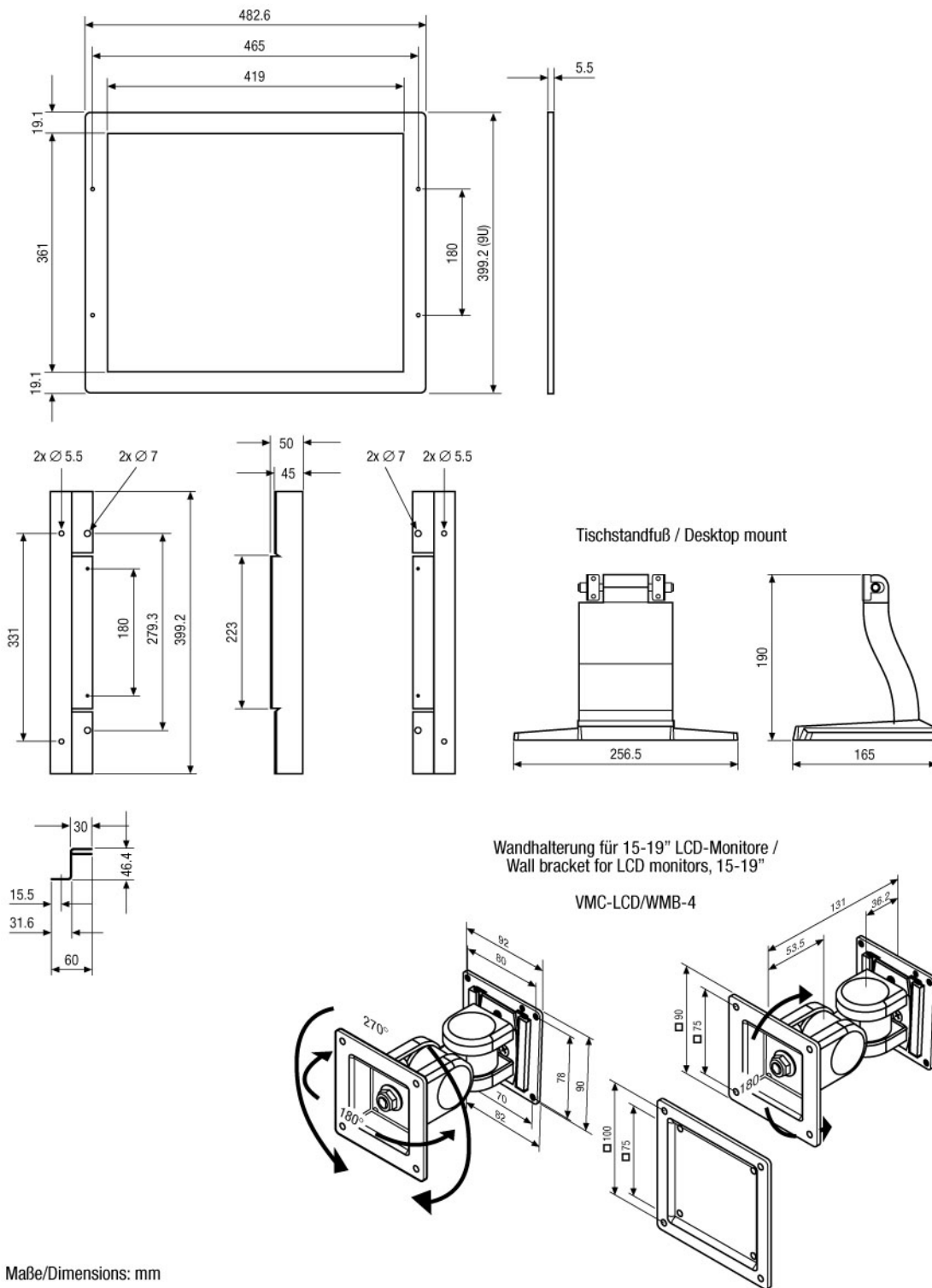
Accessories

90395 / LCD-ST/P	Desktop Mount for LCD Monitor VMC-15/17/19, P Series
90426 / VMC-LCD/WMB-1	Wall Bracket for TFT/LCD Monitors, straight
90468 / VMC-LCD/WMB-4	Wall Bracket for LCD Monitors up to 23", Pan and Tilttable
90394 / VMC-LCD/WCMB-1	Wall/Ceiling Bracket for LCD Monitors 15"/17"/19" P/PT/D Series
90449 / VMC-LCD/CMB-1	Ceiling Mount Bracket, Pan and Tilttable for LCD Monitors 19" to 30"
90475 / LCD-19P-RMK	19" Kit for 19" LCD Monitor (VMC-19LCD-P)
90505 / UNO	Wall Bracket for LCD Monitors up to 23", Pan and Tilttable

Accessories of

71979 / DLR1-04N/250V	Digital Video Recorder (4-Channel) 250GB HDD, Alarm In/Outputs, Ethernet
71978 / DLR1-04N/160V	Digital Video Recorder (4-Channel) 160GB HDD, Alarm In/Outputs, Ethernet
71931 / DLR2-04N/160	Digital Video Recorder (4-Channel) 160GB Hard Disk, Alarm Input, Ethernet
71932 / DLR2-04N/320	Digital Video Recorder (4-Channel) 320GB Hard Disk, Alarm Input, Ethernet
71933 / DLR2-04N/480	Digital Video Recorder (4-Channel) 480GB Hard Disk, Alarm Input, Ethernet

19"-Einbaukit /
19" Rack mount kit



Maße/Dimensions: mm

VIDEOR TECHNICAL E. Hartig GmbH
 Carl-Zeiss-Straße 8 · 63322 Rödermark · Germany
 Telefon +49 (0) 60 74/8 88-0 · Telefax +49 (0) 60 74/8 88-100
 info@videortechnical.com · www.videortechnical.com