

Video Security

Monitors | eneo TFT/LCD Monitors

VMC-15LCD-P

15" LCD Professional Colour Monitor, 1024 x 768, Comp., Y/C, RGB, 2 Audio, 12VDC/230VAC

Art-No. 90392



Features

Prof. LCD/TFT Monitor with 15" Display Screen Size
PAL/NTSC Auto Selection
Multi Language On-screen Menu Control
Resolution of 1024x768 Pixel (XGA)
CVBS, S-Video, VGA and Audio Inputs
Quick Signal Switching

Integrated Loudspeakers
Supply Voltage: 12VDC/230VAC
Robust Metal Cabinet
Wall and Table Stand Mounting
ISO 13406-2 Certified (Ergonomic Standard)
Options: Table Stand/Mounting Bracket, 19" Rack

Specifications

Video standard	PAL/NTSC (auto selection)
Display element	Colour TFT/LCD
Screen size	15" (38.1cm)
Scanning method	Digital progressive scan (Frame/Motion mode)
Pixel format	1024 (H) x 768 (V), RGB vertical stripes 0.297x0.297mm
Resolution	Y/C: >500TV lines VGA: 640x480 (60 to 75 Hz) SVGA: 800x600 (56 to 75Hz) XGA: 1024x768 (60 to 75Hz)
Pixel fault class	ISO 13406-2, Class II
Colour scales	16Mio (8bit)
Contrast ratio typ.	400:1
Brightness typ.	250cd/m ²
Angle of view (L/R/B/T) typ.	65°/65°/45°/60°
Light source	2CCFL
Response time typ.	16ms (tr/ tf)
PC interface	Analog RGB (0.714Vp-p, 75ohms), H & V sync. (TTL), 15-pin D-Sub
Video inputs	CVBS: 1Vp-p, 75ohms, BNC; Y/C: Y= 0.7Vp-p, C= 0.3Vp-p, 75ohms, 4-pin Mini DIN. Loop-through inputs, automatic 75ohms termination

VMC-15LCD-P

(Specifications continued)

Audio input	2x Cinch (Stereo)
Audio output power	2x 0.5watts
External adjustments	On-screen control, ON/OFF
Menu languages	English, German, French, Spanish, Italian, Polish, Czech
Supply voltage	12VDC +/-5% (PSU 100V~240VAC included)
Power consumption	30watts max.
Temperature range	0°C ~ +40°C
Housing	Aluminium
Colour	Black
Dimensions (HxWxD)	286x349x43mm
Mount	VESA standard (4 threads M4, 75x75mm)
Total height with stand	355mm
Weight	2.7kg
Parts supplied	PSU 100~240V/12VDC with power cord, 1x VGA cable, Installation diskette, Multi-language manual
Certifications	CE, TÜV Ergonomie, FCC
Options	Table stand, Wall and ceiling bracket, 19" rack mount kit

Accessories

90394 / VMC-LCD/WCMB-1	Wall/Ceiling Bracket for LCD Monitors 15"/17"/19" P/PT/D Series
90395 / LCD-ST/P	Desktop Mount for LCD Monitor VMC-15/17/19, P Series
90396 / LCD-15P-RMK	19" Kit for 15" LCD Monitor (VMC-15LCD-P)
90426 / VMC-LCD/WMB-1	Wall Bracket for TFT/LCD Monitors, straight
90468 / VMC-LCD/WMB-4	Wall Bracket for LCD Monitors up to 23", Pan and Tilttable
90505 / UNO	Wall Bracket for LCD Monitors up to 23", Pan and Tilttable

Accessories of

71921 / DLR1-04N/160	Digital Video Recorder (4-Channel) 160GB HDD, Alarm In/Outputs, Ethernet
71943 / DTR-2009/250CD	Digital Video Recorder (9-Channels) 250GB HDD, CD-RW Drive, Ethernet,230VAC
71944 / DTR-2009/500CD	Digital Video Recorder (9-Channels) 500GB HDD, CD-RW Drive, Ethernet,230VAC
71945 / DTR-2009/750CD	Digital Video Recorder (9-Channels) 750GB HDD, CD-RW Drive, Ethernet,230VAC
71946 / DTR-2016/250CD	Digital Video Recorder (16-Channels) 250GB HDD, CD-RW Drive, Ethernet,230VAC
71947 / DTR-2016/500CD	Digital Video Recorder (16-Channels) 500GB HDD, CD-RW Drive, Ethernet,230VAC
71948 / DTR-2016/750CD	Digital Video Recorder (16-Channels) 750GB HDD, CD-RW Drive, Ethernet,230VAC
71949 / DTR-4009/250CD	Digital Video Recorder (9-Channels) 250GB HDD, CD-RW Drive, Ethernet,230VAC

VMC-15LCD-P

(Accessories of continued)

71958 / DLR1-04N/250

Digital Video Recorder (4-Channel) 250GB HDD, Alarm In/Outputs, Ethernet

71951 / DTR-4016/250CD

Digital Video Recorder (16-Channels) 250GB HDD, CD-RW Drive, Ethernet,230VAC

71952 / DTR-4016/750CD

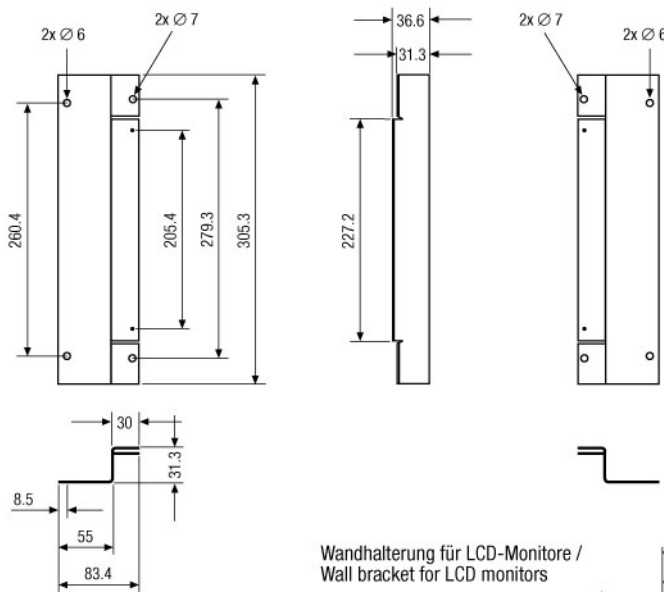
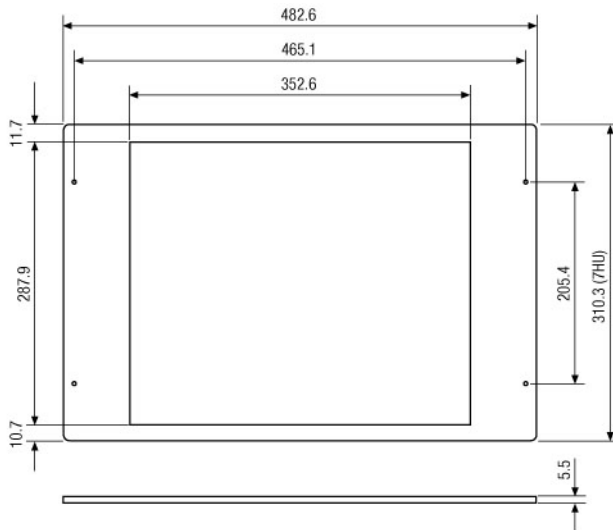
Digital Video Recorder (16-Channels) 750GB HDD, CD-RW Drive, Ethernet,230VAC

Product Information

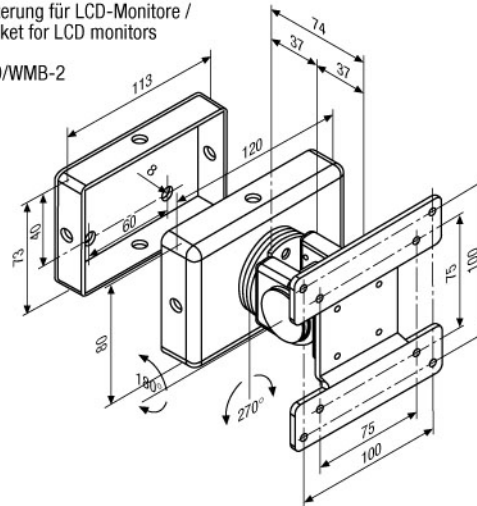
* Power supply unit 100 to 240 VAC is part of delivery.

VMC-15LCD-P

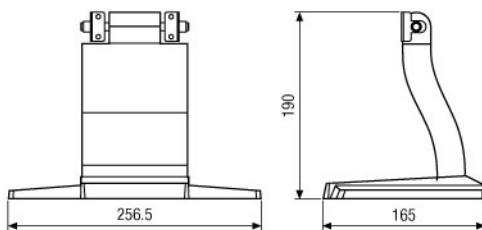
19"-Einbaukit /
19" Rack mount kit



Wandhalterung für LCD-Monitore /
Wall bracket for LCD monitors
VMC-LCD/WMB-2



Tischstandfuß / Desktop mount



Maße/Dimensions: mm

VIDEOR TECHNICAL E. Hartig GmbH
Carl-Zeiss-Straße 8 · 63322 Rödermark · Germany
Telefon +49 (0) 60 74/8 88-0 · Telefax +49 (0) 60 74/8 88-100
info@videortechnical.com · www.videortechnical.com

