

# Video Security

Dome Cameras | Minidomes

## VKCD-149

1/4" Colour Dome Camera with 16x Zoom Lens, DSS, 12VDC/24VAC, 480TVL

Art-No. 92063



## Features

Integrated 16x AF Motor Zoom Lens/12x Digital Zoom  
Resolution of 480 Horizontal Lines  
Sensitivity of 1.25Lux at F1.2 (Colour)  
On-screen Menu Control (OSD)  
Back Light Compensation (BLC)  
Manual Shutter Control (MES)

Low Speed Shutter Control up to 128 Fields (DSS)  
Automatic Gain Control (AGC)  
Automatic White Balance (AWB)  
RS-485 Serial Control Interface  
Supply Voltage: 12VDC / 24VAC  
Certified according to BGV Kassen

## Specifications

Video standard	CCIR/PAL
Camera adjustment	360° horizontal / 90° tilt
Cable connection	Video (BNC), 12VDC (2-pin Terminal), RS-485 (open ends)
Available menu language	English
Bubble	120mm diameter, Vandal resistant, polycarbonate with high resistance
Imager	1/4" Sony Super HAD CCD
Active picture elements	Ca. 440.000, (H) 752 x (V) 582 Pixels
Synchronization	Internal
Sensitivity at 50% video signal	1.25 (0.1) Lux at colour; 0.75 (0.06) Lux at B&W, VT measurement result at F1.2 (DSS ON/12Flds.)
Horizontal resolution	480 TV lines
White balance (AWB)	Automatic or manual
Zoom function	Manual via buttons. Menu controlled start and end limitation
Focus control	Automatic and manual
Sharpness correction	Adjustment Range: 0 ~ 15
Brightness	Adjustment Range: 0 ~ 48

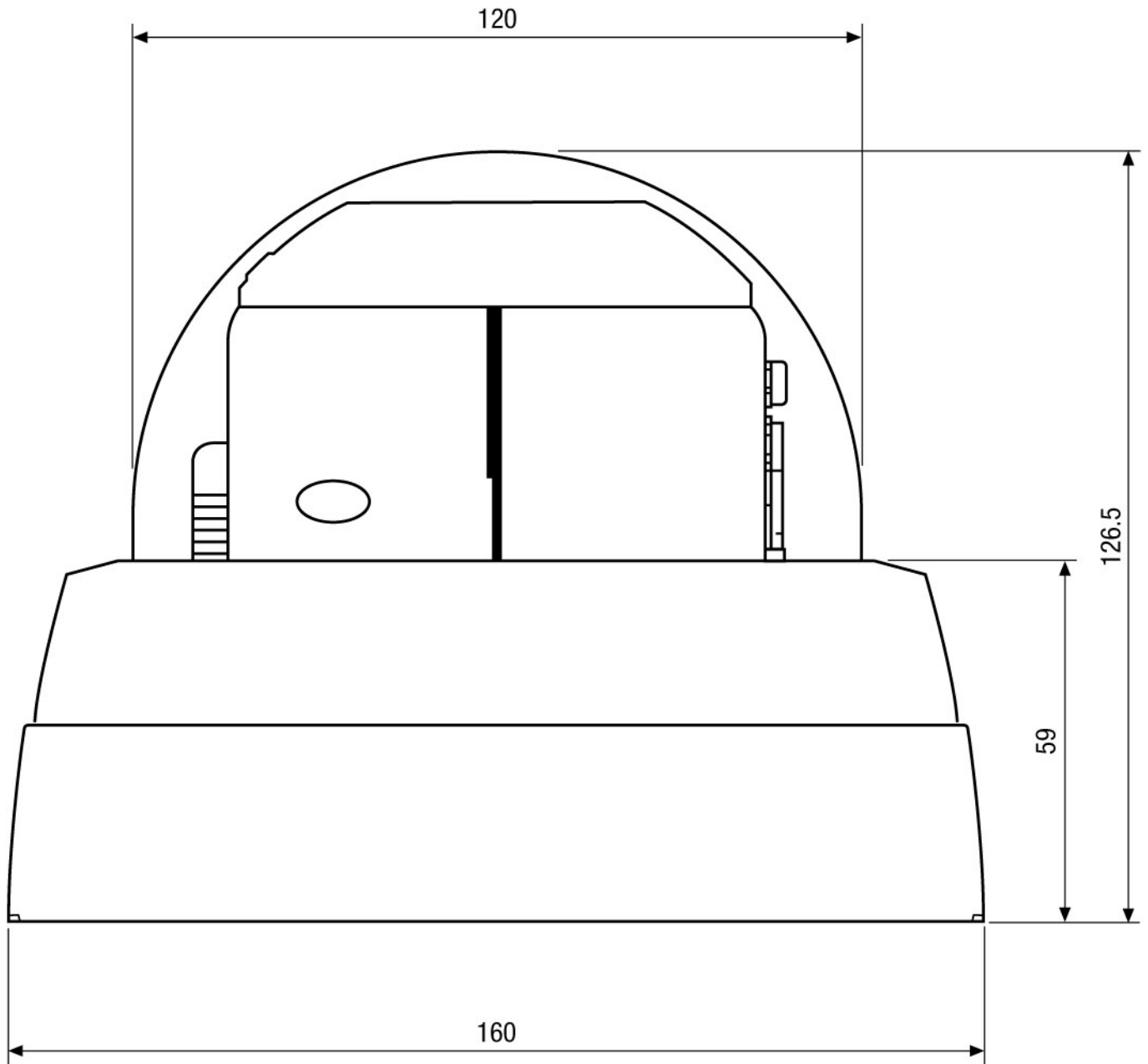
## VKCD-149

(Specifications continued)

<b>Manual electronic shutter (MES)</b>	1/125 ~ 1/10,000Sec. (8 steps)
<b>Low speed shutter (DSS)</b>	Automatic, 2 ~ 128 Fields
<b>Gamma correction</b>	Approx. 0.45
<b>Automatic gain control (AGC)</b>	Supplied
<b>Signal-to-noise ratio</b>	48dB (AGC OFF)
<b>OSD function control</b>	Main menu: Camera-ID no. (up to 255), B&W switching, Sharpness, Hor. mirror function, Positive/Negative switching. Focus: Autofocus ON/OFF, Zoom end positions. AWB: White balance Automatic/manual. Brightness, Shutter, BLC ON/OFF. Display: Menu ON/OFF. Initial: Camera settings ON/OFF
<b>Serial port</b>	RS-485 (control S/W, interface protocols: Pelco D and upon request)
<b>Aperture Correction (APC)</b>	Horizontal and vertical
<b>Backlight compensation (BLC)</b>	On/Off switchable
<b>Zoom range</b>	3.9 ~ 62.4mm (16x Zoom)
<b>Aperture range</b>	F1.4 ~ F64
<b>Digital Zoom</b>	2x ~ 12x
<b>Horizontal angle of view</b>	Wide angle: 50°; Tele end: 3.3°
<b>Minimum object distance (MOD)</b>	Wide angle: 10cm; Tele end: 1.0m
<b>Iris control</b>	Auto iris controlled
<b>Internal adjustments</b>	Menu: ON/OFF; Focus: Near/Far; Zoom: T/W
<b>Video output</b>	1Vp-p, CVBS, 75ohms
<b>Supply voltage</b>	12VDC ( $\pm 0.5V$ ) ; 24VAC ( $\pm 0.5V$ ), 50Hz
<b>Power consumption</b>	6.0watts max.
<b>Temperature range</b>	-10°C ~ +50°C
<b>Dimensions (HxWxD)</b>	See drawing
<b>Housing</b>	Die-cast aluminium with polycarbonate bubble
<b>Protection rating</b>	IP65 (at installation according to the manual)
<b>Weight</b>	1.6kg
<b>Parts supplied</b>	Mounting screw kit, Torx wrench key, Service monitor cable (Cinch plug), Guide pattern, Manual

## Accessories

<b>77779 / VT-PS12DC-UK</b>	Power Supply Unit w. UK Mains plug-in, 100-240VAC/12VDC-1.0A, Regul., open Ends
<b>77772 / VT-PS12DCDT</b>	PSU 12VDC/0,5A, Regulated, Desktop Version, 1.8m Cable each w. open ends
<b>70448 / VT-PS12DC-6</b>	Plug-in Power Supply Unit 100-240VAC 12VDC (1.0Amp), Regulated, w. Open Ends
<b>74092 / EDC-KBDM-3</b>	System Keyboard w. Joystick, 5" Monitor 12VDC/230VAC



Maße/Dimensions: mm

VIDEOR TECHNICAL E. Hartig GmbH  
Carl-Zeiss-Straße 8 · 63322 Rödermark · Germany  
Telefon +49 (0) 60 74/8 88-0 · Telefax +49 (0) 60 74/8 88-100  
info@videortechnical.com · www.videortechnical.com

