



VKCD-1416B

Article-No.: 74228

1/4" Dome, Fixed, Day&Night, clear, WDR,
22x, 3.9-85.8mm, 580TVL, 12VDC/24VAC

Mainfeatures

Hi-res day&night camera with EXView HAD CCD
Digital image stabilisation (DIS)
High and low speed shutter control (ESC/MES/DSS)
Motion detection (MD) and face detection (FD)
RS-232/RS-485 serial and voltage control interface

22x autofocus lens 3.9-85.8mm/16x digital zoom
Digital noise reduction (2/3-DNR)
Wide dynamic range (WDR)
Privacy masking up to 16 zones
Vandal-resistant housing, clear bubble 110mm

Specifications

Video standard	CCIR/PAL
System	day&night
Sensor size	1/4"
Imager	CCD
Imager	1/4" EXView HAD CCD
Active picture elements	795(H) x 596(V) pixels
Synchronization	internal
Signal-to-noise ratio	50dB (AGC OFF)
Sensitivity (at 50% video signal)	0,33 Lux
Sensitivity (at 50% video signal)	(colour): 0.17Lux (B&W) at F1.2 (measured)
Exposure modes	Automatic or manual mode: Iris, Shutter and AGC. Automatic mode: Iris priority, Shutter priority
Horizontal resolution	580 TVL
Horizontal resolution	(colour), 600 TVL (B&W)
Rotation range	359°
Tilt range	0° ~ 180°
Privacy zones masking	16 zones masking, ON/OFF switchable
Automatic gain control (AGC)	30dB max., ON/OFF switchable


Specifications (continued)

Gamma correction	0.45
Automatic electronic shutter (ESC)	1/50 ~ 1/100,000sec.
Manual electronic shutter (MES)	1/50 ~ 1/100,000sec.
Low speed shutter	yes
Low speed shutter	OFF, Automatic: 2 ~ 128 fps.
Digital Noise Reduction (DNR)	yes
Digital Noise Reduction (DNR)	2D & 3D
Flickerless function	yes
Mirror function	H/V flip, 180° rotation
White balance	indoor, outdoor, AWB, manual, WAWB, Automatic (AWB) selectable for indoor and outdoor, or manual. Wide range auto mode (WAWB, 1800-10500K)
Backlight compensation	BLC
Backlight compensation	Adjustable zones, ON/OFF switchable, ON/OFF switchable with adjustable field size
Wide Dynamic Range (WDR)	yes
Wide Dynamic Range (WDR)	ON/OFF switchable
Aperture Correction (APC)	horizontal, vertical
IR cut filter	switchable
Video outputs	composite (CVBS)
Lens type	zoom
Focal length	3,9 mm - 85,8 mm
Horizontal angle of view	49,5° - 3,9°, 85,8° - 2,6°
Digital zoom	1x ~ 16x
Aperture range (F)	F1.6-F3.7
Iris control	DC
MOD (Minimum object distance)	0,1-6 m
Alarm outputs	-
Illumination	no
Activity detection	yes
Motion detector	4 zones, ON/OFF switchable. Face detection
Menu languages	English
OSD function control	day&night, AGC, BLC, AWB, MOD, effect (freeze, pos./neg., flickerless), digital zoom, digital noise reduction (DNR), WDR, shutter mode, white pixel correction
Text display	Title, camera ID and status
External adjustments	Menu, Menu: ON/OFF Focus: Near/Far Zoom: T/W
External connections	voltage input, alarm input, alarm output, video (BNC), RS-485, AD key, external day&night switching
Serial interfaces	RS-232, RS-485
Serial interfaces protocols	Pelco D, Pelco P, Fastrax IIE
Temperature range (operation)	-10°C ~ +50°C
Protection rating	IP66
Supply voltage	12VDC, 24VAC
Supply voltage	24VAC
Power consumption	4.5watts
Vandalism resistant	yes
Colour (bubble)	clear
Mounting	ceiling mount, wall mount

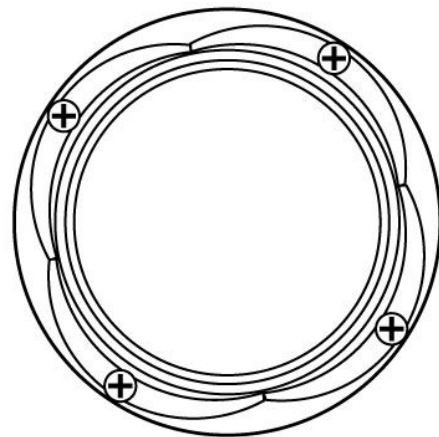
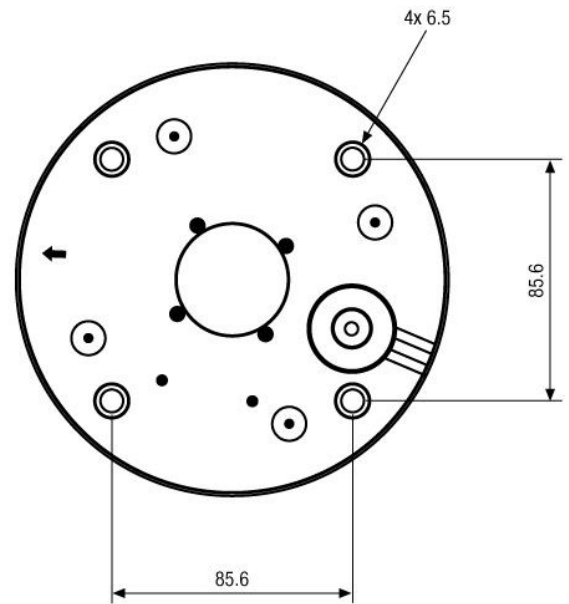
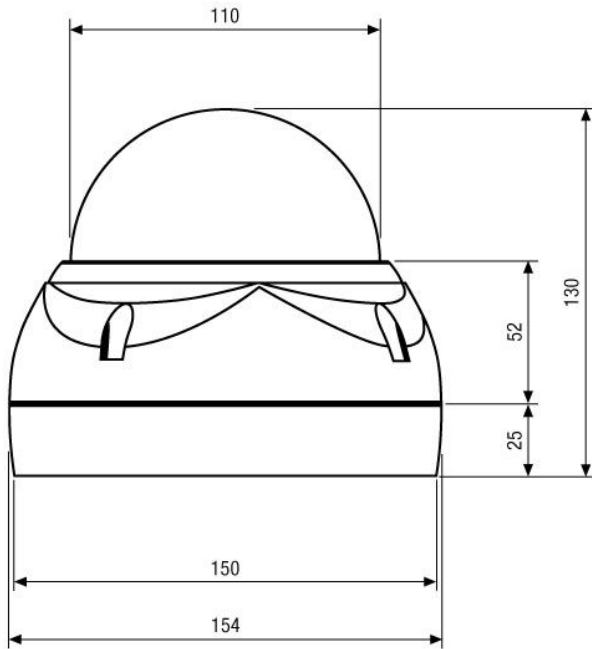
Specifications (continued)

Housing	indoor, outdoor
Housing material	aluminium
Colour (housing)	Pantone Cool Gray 1C
Dimensions (HxWxD)	see drawing
Colour	Pantone Cool Gray 1C
Parts supplied	screw set, drilling template, manual, allen key
Certificates	CE, IK10

Optional Accessories

Image	Artikel-Nr. / Typ	Description
	VKCD-1410/KB	Remote Controller for VKCD-1410, VKC-1416(A)/IR and NTC-4101

Technical Drawing



Maße/Dimensions: mm

Your partner for eneo products:

