

# Video Security

Dome Cameras | eneo Vandalism-Proof Fix Domes

## VKCD-1410

1/4" D&N Colour Dome Camera, 22x Lens,  
IR Cut Filter, 12VDC/24VAC, 480TVL

Art-No. 74137



## Features

Vandal Resistant, Rugged and High Impact Enclosure  
Clear Lexan Bubble, 110mm  
For Wall and Ceiling Surface Mount  
Manual 3-axis Camera Adjustment  
High Resolution Color/BW Camera with Super HAD CCD  
Integral 22x AF Zoom Lens / 11x Digital Zoom

Zoom Lens F1.6/3.9-85.8mm  
Digital Image Stabilization (DIS)  
Digital Noise Reduction (DNR)  
High and Low Speed Shutter Control (ESC/MES/DSS)  
On-screen Menu Control  
RS-232/RS-485 Serial and Voltage Control Interface

## Specifications

Video standard	CCIR/PAL
System	day&night
Sensor size	1/4"
Imager	CCD, Sony Super HAD Interline Transfer CCD
Active picture elements	approx. 440,000, 752(H) x 582(V)
Synchronization	Internal/AC line lock
Signal-to-noise ratio	52db (AGC OFF)
Sensitivity (at 50% video signal)	0,45Lux, (colour); 0.24Lux (B&W). With 8x Low Speed Shutter, colour: 0.05Lux, b&w: 0.03Lux. Related to aperture F1.2 each
Exposure modes	Automatic or manual mode: Iris, Shutter and AGC. Automatic mode: Iris priority, Shutter priority
Horizontal resolution	480TVL
Rotation range	manual: 360°
Digital signal processing (DSP)	Yes
Automatic gain control (AGC)	30dB (On/Off switchable)
Shutter modes	High and Low Speed shutter
Electronic shutter control (ESC)	1/50 ~ 1/10000sec., Automatic (starting from F22) and manual

(Specifications continued)

<b>Low speed shutter (DSS)</b>	1/30sec. ~ 1sec. (to 2, 4, 8, 16, 32 and 60 Fps. selectable)
<b>Integration rate</b>	yes
<b>Wide dynamic range</b>	On/Off switchable
<b>Flickerless function</b>	Supplied
<b>White balance</b>	Automatic (AWB) selectable for indoor and outdoor, or manual. Wide range auto mode (WAWB)
<b>Backlight compensation</b>	BLC, On/Off switchable with adjustable field size
<b>Aperture Correction (APC)</b>	Horizontal and vertical
<b>IR cut filter</b>	yes, Motorized, switchable filter. Automatic function (CDS controlled) or manual. In removed filter position, the colour signal will, be switched OFF
<b>Video outputs (type)</b>	CVBS, VBS
<b>Lens mount</b>	integrated lens
<b>Lens type</b>	zoom
<b>Lens</b>	F1.6 ~ F75/3.4 ~ 122.4mm (36x optical, 12x digital zoom)
<b>Application range</b>	security
<b>Nominal format size</b>	1/3"
<b>Aspherical technology</b>	no
<b>Focal length</b>	3,9-85,8mm
<b>Horizontal angle of view</b>	50-2,46°
<b>Digital Zoom</b>	11x
<b>Zoom range</b>	22x
<b>Focus control</b>	Automatic (manual override and programmable: 0.1m/1.0m/1.5m/2.5m/6.0m)
<b>Iris control</b>	auto iris, Auto iris (F1.6 ~ F32), with manual override
<b>Minimum object distance (MOD)</b>	Wide angle (x1 to x4): 10cm Tele end (x5 to x22): 1.0m. Adjustable to 0.1m, 1.0mm, 1.5m, 2.5m and 6m
<b>Mount</b>	n/a
<b>Picture adjustments</b>	Brightness (90 steps), Sharpness (15 steps), Mirror
<b>Menu driven set-up</b>	On/Off switchable
<b>Menu languages</b>	English
<b>OSD function control</b>	PIP, Freeze, Digital zoom, Digital noise reduction (DNR) ON/OFF. Mirror, Negativ/Positiv image. Digital image stabilization (DIS), Wide dynamic range (WDR) or Shutter mode
<b>Text display</b>	Title, camera ID and status
<b>Sharpness correction</b>	Adjustment range: 0 ~ 15
<b>Brightness</b>	Range: 0 ~ 90
<b>Day / Night Switching</b>	Automatic or manual
<b>External adjustments</b>	Menu: ON/OFF Focus near/far Lens T/W LL phase (for AC models only)
<b>External connections</b>	Video (BNC), Power input, Serial interface socket
<b>Operation protection</b>	Available
<b>Adresses</b>	0 ~ 255

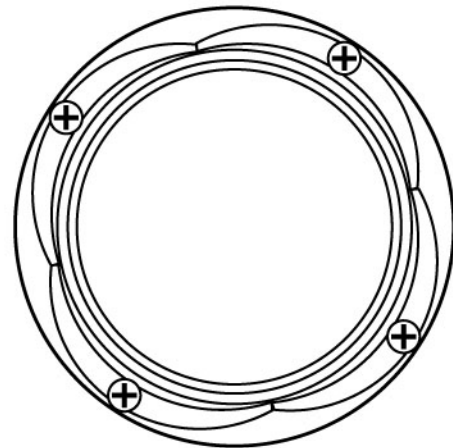
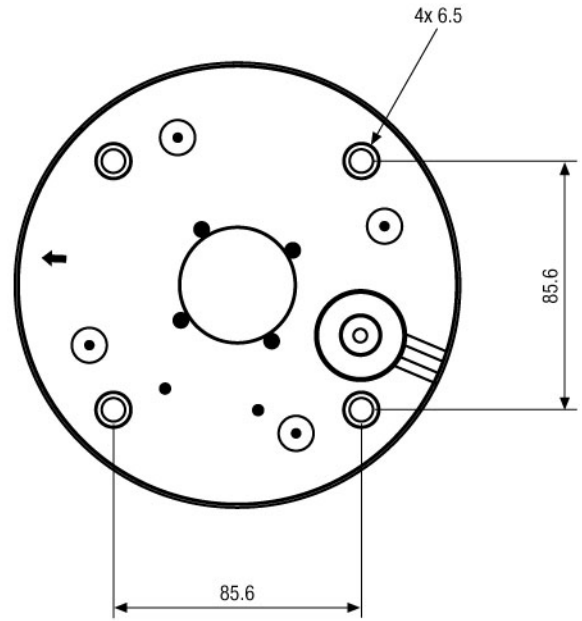
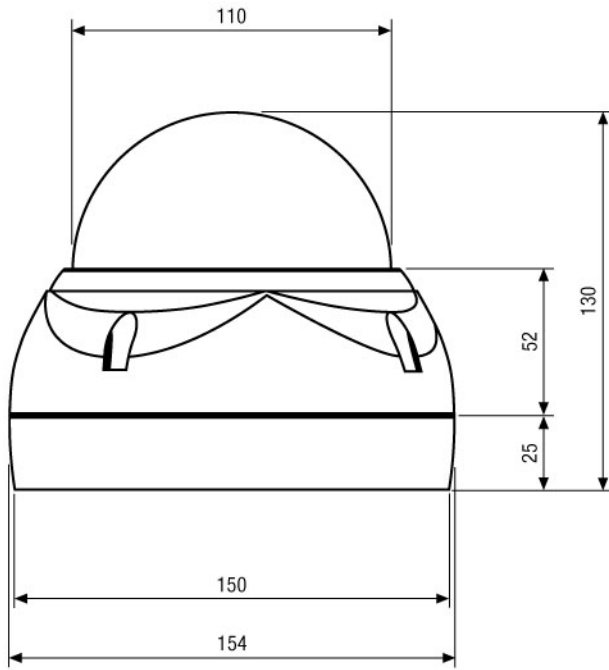
## VKCD-1410

(Specifications continued)

<b>Keyboard control</b>	Direct mode control with Eneo EDC-KBD(M) keyboard series, or in conjunction with the eneo DVR series DLR, DTR and DPR
<b>Remote control</b>	Camera remote settings via keyboard
<b>Serial interfaces</b>	RS-485, RS-232, 9600Baud, 63 camera ID addresses selectable. Besides the keyboard control via the eneo EDC-KBD(M) series, the control via matrix, switchers and keyboards with Pelco P&D protocol is possible.
<b>Temperature range (Operation)</b>	-10° ~ +50°C
<b>Heater</b>	no
<b>Protection rating</b>	IP66, at installation according to the manual
<b>Supply voltage</b>	12VDC, 24VAC
<b>Power consumption</b>	6.0watts
<b>Vandalism resistant</b>	yes
<b>Bubble</b>	4.3" (110mm), Acryl/clear
<b>Colour (bubble)</b>	clear
<b>Camera fixing</b>	no
<b>Camera mount</b>	Ceiling mount or using EDMC/CWB wall and ceiling bracket
<b>Mounting</b>	in-ceiling mount, wall mount
<b>Housing</b>	outdoor housing
<b>Housing material</b>	aluminium
<b>Colour (housing)</b>	Pantone Cool Gray 1C
<b>Weight</b>	1.1kg

## Accessories

<b>74097 / EDMC/CWB</b>	Wall or Pendant Mount Kit for EDMC Dome Camera EDMC-142 and WDDG-1 Series
<b>70448 / VT-PS12DC-6</b>	Plug-in Power Supply Unit 100-240VAC 12VDC (1.0Amp), Regulated, w. open Ends
<b>70449 / NE-128</b>	Voltage supply unit 230V/24VAC-5A, IP66
<b>74088 / EDC-KBD1</b>	System Keyboard with 3-axis Joystick, 12VDC/230VAC
<b>74092 / EDC-KBDM-3</b>	System Keyboard w. Joystick, 5" Monitor 12VDC/230VAC, Fastrax Protocol
<b>74089 / EDC-CR1</b>	Converter RS-232/RS-485, Repeater RS-485
<b>74094 / EDC-COAX</b>	Coax Telemetry Board for VPT-41/42, EDC/EDMC Series. assembled
<b>74124 / FASTRAX_CONFIG</b>	Configuration Software for Eneo Fastrax, Minitrax Dome Cameras and VKC-1416



Maße/Dimensions: mm

VIDEOR TECHNICAL E. Hartig GmbH  
 Carl-Zeiss-Straße 8 · 63322 Rödermark · Germany  
 Telefon +49 (0) 60 74/8 88-0 · Telefax +49 (0) 60 74/8 88-100  
 info@videortechnical.com · www.videortechnical.com