

Video Security

Dome Cameras | Minidomes

VKCD-135

1/3" Colour Dome Camera In-Ceiling Mount
with 3.7mm Lens, 12VDC, 380TVL

Art-No. 91788



Features

For Wall and In-Ceiling Mount
Resolution of 380 Horizontal Lines
Built-in Pinhole Lens F2.0/3.7 mm
Electronic Shutter Control (ESC)

Internal Synchronization
Easy Installation
Supply Voltage: 12 VDC

Specifications

Video standard	PAL
System	Colour
Sensor size	1/3"
Imager	CCD, Sony Super HAD Interline Transfer CCD
Picture elements	approx. 290,000, 500(H) x 582(V)
Synchronization	Internal
Sensitivity (at 50% video signal)	2,0Lux, at F1.2, 5.4Lux at F2.0 (VT measurement result)
Rotation range	360°
Tilt range	approx. +/-60°
Gamma correction	0.45
Integration rate	no
Backlight compensation	no
IR cut filter	no
Video outputs (type)	CVBS
Video outputs	1Vp-p, CVBS, 75ohms
Lens mount	integrated lens
Lens type	fixed focal length
Lens	F2.0/3.7mm Pinhole
Application range	security
Nominal format size	1/3"

VKCD-135

(Specifications continued)

Aspherical technology	n/a
Focal length	3,7mm
Horizontal angle of view	68°
Iris control	no
Mount	n/a
External connections	Video (BNC), 12VDC (Cinch)
Serial interfaces	no
Temperature range (Operation)	-10°C ~ +40°C
Heater	no
Protection rating	n/a
Supply voltage	12VDC
Power consumption	2.2watts max.
Vandalism resistant	no
Colour (bubble)	n/a
Camera fixing	no
Mounting	in-ceiling mount, wall mount
Housing	indoor housing
Housing material	aluminium
Colour (housing)	anodized light (C-0)
Dimensions (DxH)	See drawing
Weight	125g

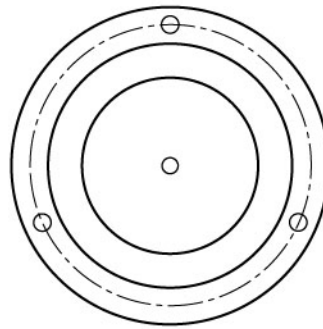
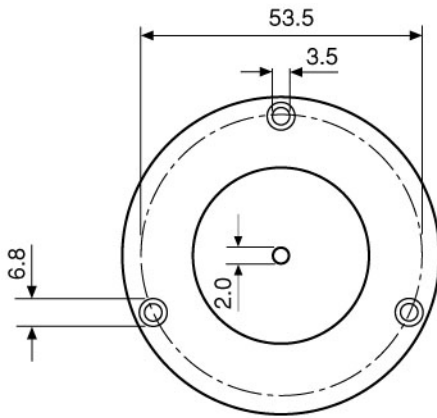
Accessories

70447 / VT-PS12DC-5

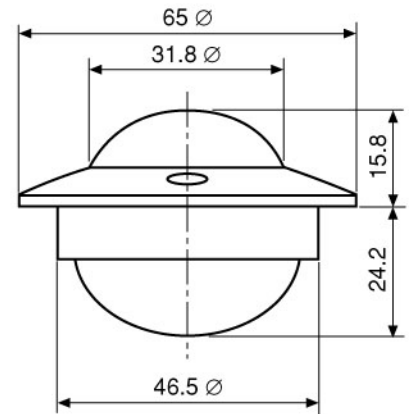
Plug-in Power Supply Unit 100-240VAC 12VDC (1.0Amp),
Regulated, with DC Plug

77773 / VT-PS12DCDT1

PSU 12VDC/1.0A, Regulated, Desktop Version, 1.8m
Cables each w. open ends



Ansicht von unten
Bottom View



Maße/Dimensions: mm