



VKCD-1335SMH/VF

Article-No.: 92577

1/3" Dome, Fixed, Day&Night, tinted,
2.8-10.5mm, 600TVL, 12VDC/24VAC, Heater

Mainfeatures

1/3" Sony Super HAD II CCD
On-screen Display (OSD)
Compensation contre-jour réglable (SBLC)
Selectable Digital Noise Reduction (SDNR)
Integrated Varifocal Lens: F1.2/2.8-10.5mm

Sensitivity of 0.15Lux at F1.2 (Colour)
Removable IR Cut Filter (IRCF)
High Speed Shutter Control (MES/ESC)
Privacy Masking/Mirror Function/Motion Detection
Manual 3-axis Camera Gimbal

Specifications

Video standard	CCIR/PAL
System	Day&Night
Sensor size	1/3"
Imager	CCD
Imager	Sony Super HAD II Interline Transfer
Active picture elements	440,000, 752(H) x 582(V)
Synchronization	Internal
Signal-to-noise ratio	50dB (AGC OFF)
Sensitivity (at 50% video signal)	0,15 Lux
Sensitivity (at 50% video signal)	(colour), 0.06Lux (B&W) at F1.2 (measured)
Horizontal resolution	600 TVL
Horizontal resolution	(colour), 650 TVL (B&W)
Rotation range	359°
Privacy zones masking	4 Areas selectable
Automatic gain control (AGC)	On/Off switchable
Gamma correction	0.45
Automatic electronic shutter (ESC)	1/50 - 1/120,000sec.

Specifications (continued)

Manual electronic shutter (MES)	1/50 – 1/120,000sec.
Low Speed Shutter	no
Digital Noise Reduction (DNR)	yes
Digital Noise Reduction (DNR)	Adjustable: Max / Mid / Min, ON/OFF switchable
Flickerless function	On/Off switchable
Mirror function	horizontal
White balance	automatic
Backlight compensation	BLC
Backlight compensation	OFF/Low/Mid/High selectable
Wide Dynamic Range (WDR)	no
Aperture Correction (APC)	Horizontal and vertical
Switchable IR cut filter	yes
IR cut filter	switchable
Video outputs	CVBS
Video outputs	1Vp-p, (C)VBS, 75ohms, BNC
Lens mount	integrated lens
Lens type	varifocal
Focal length	2,8 mm - 10,5 mm
Horizontal angle of view	81,2° - 25,8°
Aperture range (F)	F1.2-F250
Iris control	DC
MOD (Minimum object distance)	0,1 m
Filter screw size	not available
Alarm inputs	-
Alarm outputs	-
Motion detector	4 zones, ON/OFF switchable
Analysis Functions	no
Menu languages	English
Text display	8 character labels, ON/OFF switchable
Camera ID	Via ID no. (alpha numeric 001-255)
Sharpness correction	Adjustment range: 0 ~ 20
Brightness	Adjustment range: 0 ~ 20
Internal adjustments	Compass switch for menu access
Cable connection	Wiring for video and voltage supply made, accessible from outside
Serial interfaces	no
Temperature range (Operation)	-10° ~ +50°C
Heater	24V/10watts (approx. 1/2 heater power at 12V)
Heater	yes
Temperature range with built-in heater	-20°C ~ +50°C
Protection rating	IP65
Protection rating	at installation according to the manual
Supply voltage	12VDC, 24VAC
Supply voltage	(±0.5V)
Power consumption	3.0watts max. (camera only)
Vandalism resistant	yes
Bubble	100mm diameter, Vandal resistant 3mm -tinted- polycarbonate with high resistance

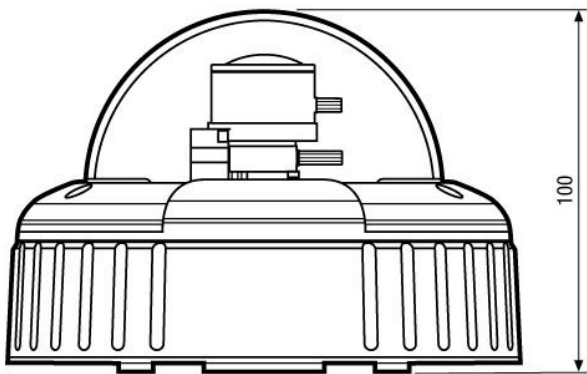
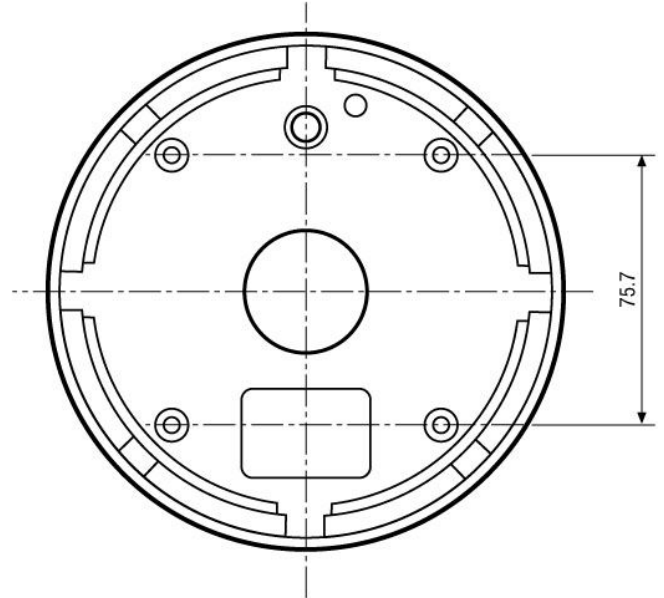
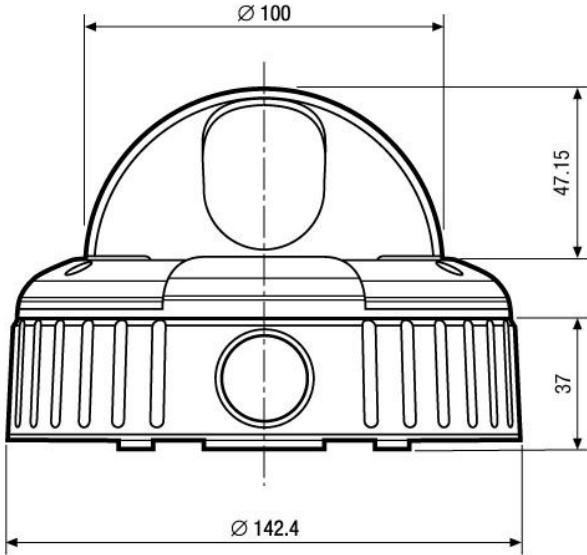
Specifications (continued)

Colour (bubble)	tinted
Camera adjustment	3-axis camera adjustment: 360° horizontal rotation / +-45° tilt rotation, 360° pan rotation
Mounting	ceiling mount, wall mount
Housing	Outdoor
Housing material	Aluminium
Housing	Die-cast aluminium with tinted polycarbonate bubble
Colour (housing)	Pantone Cool Gray 1C
Dimensions (HxWxD)	See drawing
Weight	850g
Parts supplied	Screw set (screws with O ring), Torx key, Video service cable (Cinch), Drilling template, Manual
Certificates	CE

Optional Accessories

Image	Artikel-Nr. / Typ	Description
	VDOME/WB2	Wall Mount Kit for Vandalism Resistant Dome Cameras SM/VF Series
	1/2" - M25X1.5	Thread Adapter 1/2" - Conduit Connection M25x1.5mm for VKCD-131x Housings
	VT-PS12DC-7	Plugable PSU w. Cont. & UK Mains plug-in 100-240VAC/12VDC-1.25A, Regulated
	VT-PS12DC-8	Plug-in Power Supply Unit 100-240VAC 12VDC (1.0Amp), Regulated, with DC Plug
	VT-PS12DCDT1	PSU 12VDC/1.0A, Regulated, Desktop Version, 1.8m Cables each w. open ends

Technical Drawing



Maße/Dimensions: mm

Your partner for eneo products:

