



VKCD-1331

Article-No.: 92561

1/3" Dome, Fixed, Day&Night, WDR, DNR,
DIS, F1.2/2.8-11mm, 600TVL, 12VDC/24VAC

Mainfeatures

1/3" Sony Progressive Scan High Resolution Sensor
Sensitivity of 0.22Lux at F1.2 (Colour)
Wide Dynamic Range (WDR) up to x160 (44dB)
High and Low Speed Shutter Control (MES/DSS)
Manual 3-axis Camera Gimbal

Removable IR Cut Filter (ICR)
Digital Image Stabilisation (DIS)
Automatic Gain Control (AGC)
Digital Noise Reduction (2D&3D DNR)
Multi Lingual On-screen Menu Control

Specifications

Video standard	CCIR/PAL
System	Day&Night
Sensor size	1/3"
Imager	CCD
Imager	Sony Super HAD Progressive Scan Interline Transfer
Synchronization	Internal
Signal-to-noise ratio	52db (AGC OFF)
Sensitivity (at 50% video signal)	0,22 Lux
Sensitivity (at 50% video signal)	(colour), 0.13Lux (B&W) at F1.2 (measured)
Horizontal resolution	600 TVL
Horizontal resolution	(colour), 650 TVL (B&W)
Tilt range	55° (+35° ~ +90° from horizontal level)
Window blanking	Up to 8 masking areas
Automatic gain control (AGC)	OFF / Low / Mid / High selectable
Manual electronic shutter (MES)	1/120 ~ 1/10.000sec.
Low Speed Shutter	yes
Low speed shutter	Automatic, 2 ~ 256 Fps.

Specifications (continued)

Digital Noise Reduction (DNR)	yes
Digital Noise Reduction (DNR)	2D & 3D
Flickerless function	ON/OFF switchable
White balance	ATW / AWB, Indoor / Outdoor
White balance (ATW)	Range: 2,500-9,500K, to 1,800-10,500K switchable
Backlight compensation	BLC
Backlight compensation	Adjustable zones, ON/OFF switchable
Wide Dynamic Range (WDR)	yes
Wide Dynamic Range (WDR)	44dB
Aperture Correction (APC)	Horizontal and vertical
IR cut filter	switchable
Video outputs	Composite (CVBS)
Video outputs	1Vp-p, (C)VBS, 75ohms, BNC
Lens mount	integrated lens
Lens type	varifocal
Lens	F1.2 - F260/2.8 - 11mm
Focal length	2,8 mm - 11 mm
Horizontal angle of view	81,2° - 24,6°
Digital Zoom	10x, ON/OFF switchable
Aperture range (F)	F1.2-F260
Iris control	DC
MOD (Minimum object distance)	0,2 m
Focus range	0.2m - 8
Filter screw size	not available
Motion detector	4 zones, ON/OFF switchable
Analysis Functions	no
Menu languages	English, German, French, Italian, Spanish
OSD function control	Brightness, Sharpness, Backlight Compensation, Electronic shutter (DSS), Manual high speed shutter (1/120 to 1/10,000), Automatic white balance, Manual white balance (Red/Blue), AGC, DNR, Motion Detection, Flickerless mode, Privacy window, Mirror, Day/Night
Text display	54 character label
Sharpness correction	Adjustment range: 0 - 3
Brightness	Adjustment range: -32 ~ +32
External connections	Video (BNC), 2 pin power input
Serial interfaces	no
Temperature range (Operation)	-10° ~ +50°C
Heater	optional
Protection rating	IP66
Supply voltage	12VDC, 24VAC
Supply voltage	(+/-10%)
Power consumption	2W
Vandalism resistant	yes
Colour (bubble)	clear
Mounting	ceiling mount, flush mount, wall mount
Housing	Outdoor
Housing material	Aluminium


Specifications (continued)

Colour (housing)	Pantone Warm Gray 1C
Weight	1.1kg
Parts supplied	Screw set, Pipe cap driver, Torx wrench, Mounting template, Service monitor board and control cable, Manual
Certificates	CE

Optional Accessories

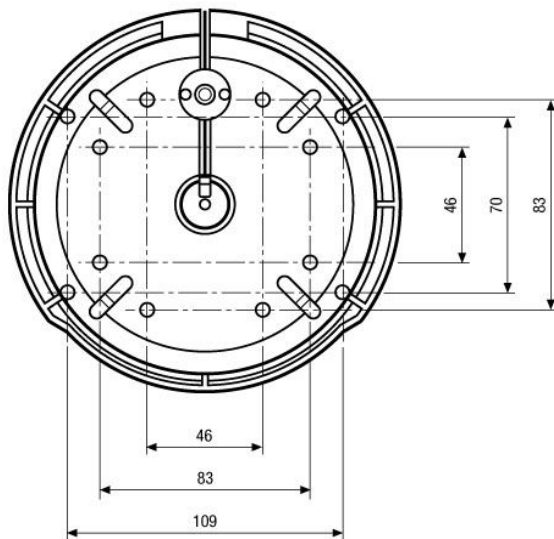
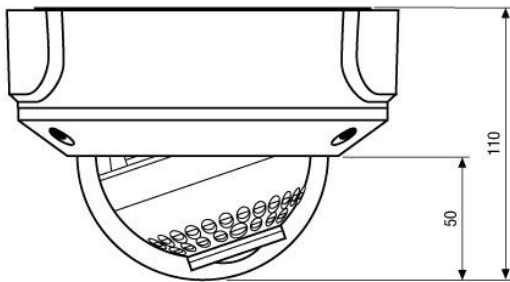
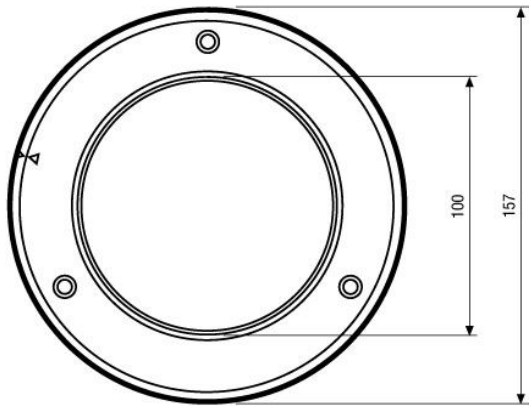
Image	Artikel-Nr. / Typ	Description
	VDOME/WB4	Wall Mount Kit for VKCD-1329/IR and VKCD-1331
	VDOME/WEDGE1	Wedge Mount Kit for VKCD-1329/IR and VKCD-1331
	VDOME/HB-K1	Heater & Blower Kit 24VAC for VKCD-1329/IR and VKCD-1331
	VT-PS12DC-8	Plug-in Power Supply Unit 100-240VAC 12VDC (1.0Amp), Regulated, with DC Plug
	VT-PS12DC-7	Plugable PSU w. Cont. & UK Mains plug-in 100-240VAC/12VDC-1.25A, Regulated
	NE-132/AC24V	Power Supply Unit 230VAC/24VAC (1.0A)

Optional Accessories (continued)

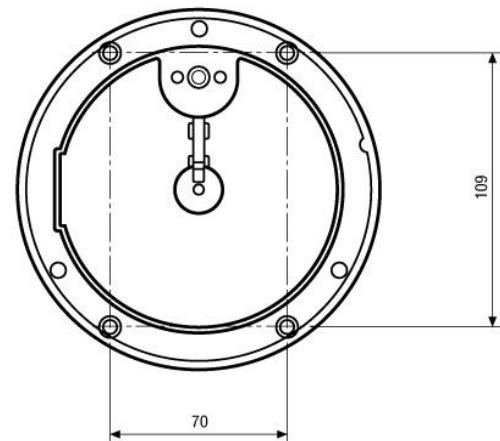
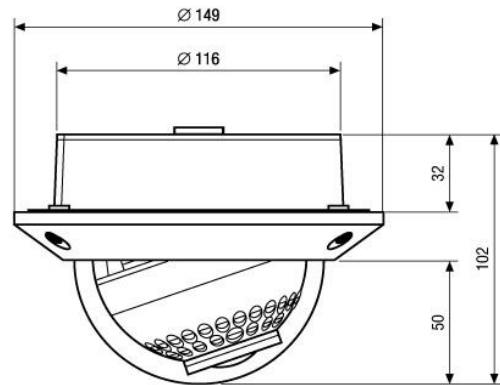
Image	Artikel-Nr. / Typ	Description
	VT-PS12DCDT1	PSU 12VDC/1.0A, Regulated, Desktop Version, 1.8m Cables each w. open ends

Technical Drawing

Aufbau / Surface Mount



Einbau / Flush Mount



Maße/Dimensions: mm



Your partner for eneo products:

