



VKCD-1329/IR

Article-No.: 92554

1/3" DomeFixed, Day&Night, DSS, DNR,DIS,
IR Illumination, F1.2/3.8-9.5mm, 600TVL

Mainfeatures

1/3" Sony Super HAD II CCD
Sensitivity of 0.15Lux at F1.2 (Colour)
High and Low Speed Shutter Control (MES/DSS)
Digital Image Stabilisation (DIS)
IR Illumination by 36 integral 850nm LEDs

Removable IR Cut Filter
Multi Lingual On-screen Menu Control
Digital Noise Reduction (3D DNR)
Automatic White Balance (ATW/AWB)
Manual 3-axis Camera Gimbal

Specifications

Video standard	CCIR/PAL
System	Day&Night
Sensor size	1/3"
Imager	CCD
Imager	Sony Super HAD II Interline Transfer
Synchronization	Internal
Signal-to-noise ratio	52db (AGC OFF)
Sensitivity (at 50% video signal)	0,15 Lux
Sensitivity (at 50% video signal)	(colour), 0.08Lux (B&W) at F1.2 (measured)
Horizontal resolution	600 TVL
Horizontal resolution	(colour), 650 TVL (B&W)
Rotation range	359°
Tilt range	55° (+35° ~ +90° from horizontal level)
Window blanking	Up to 8 masking areas
Automatic gain control (AGC)	OFF / Low / Mid / High selectable
Manual electronic shutter (MES)	1/120 ~ 1/10.000sec.
Low Speed Shutter	yes

Specifications (continued)

Low speed shutter	Automatic, 2 ~ 256 Fps.
Digital Noise Reduction (DNR)	yes
Digital Noise Reduction (DNR)	3D
Flickerless function	ON/OFF switchable
White balance	ATW / AWB, Indoor / Outdoor
White balance (ATW)	Range: 2,500-9,500K, to 1,800-10,500K switchable
Backlight compensation	BLC
Backlight compensation	Adjustable zones, ON/OFF switchable
Wide Dynamic Range (WDR)	no
Aperture Correction (APC)	Horizontal and vertical
IR cut filter	switchable
Video outputs	Composite (CVBS)
Video outputs	1Vp-p, (C)VBS, 75ohms, BNC
Lens mount	integrated lens
Lens type	varifocal
Lens	F1.2/F2.0-360 / 3.8-9.5mm with galvanometer controlled iris
Focal length	3,8 mm - 9,5 mm
Horizontal angle of view	74,2° - 30°
Digital Zoom	10x, ON/OFF switchable
Aperture range (F)	F1.2-F360
Iris control	DC
MOD (Minimum object distance)	0,15 m
Focus range	0.15m ~ 8
Filter screw size	not available
Illumination	36 LEDs 850nm. Integrated light sensor for On/Off switching of the illumination
Illumination range	approx. 35m (at a good light reflexion and 40% Videosignal)
Motion detector	4 zones, ON/OFF switchable
Analysis Functions	no
Menu languages	English, German, French, Italian, Spanish
OSD function control	Brightness, Sharpness, Backlight Compensation, Electronic shutter (DSS), Manual high speed shutter (1/120 to 1/10,000), Automatic white balance, Manual white balance (Red/Blue), AGC, DNR, Motion Detection, Flickerless mode, Privacy window, Mirror, Day/Night
Text display	54 character label
Sharpness correction	Adjustment range: 0 ~ 3
Brightness	Adjustment range: -32 ~ +32
External connections	Video (BNC), 2 pin power input
Serial interfaces	no
Temperature range (Operation)	-10° ~ +50°C
Heater	optional
Protection rating	IP66
Supply voltage	12VDC, 24VAC
Supply voltage	(+/-10%)
Power consumption	6watts
Vandalism resistant	yes
Colour (bubble)	clear
Mounting	ceiling mount, flush mount, wall mount


Specifications (continued)

Housing	Outdoor
Housing material	Aluminium
Colour (housing)	Pantone Warm Gray 1C
Weight	1.1kg
Parts supplied	Screw set, Pipe cap driver, Torx wrench, Mounting template, Service monitor board and control cable, Manual
Certificates	CE

Optional Accessories

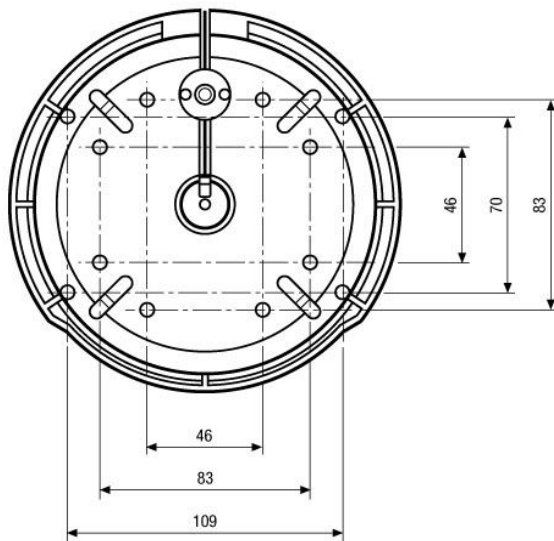
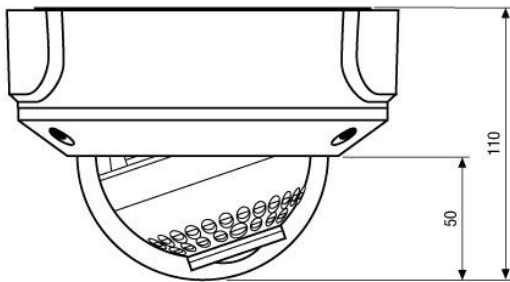
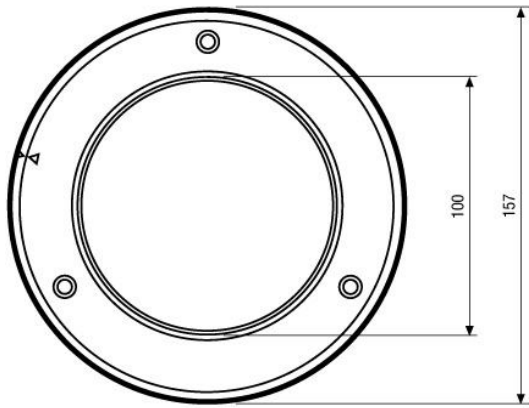
Image	Artikel-Nr. / Typ	Description
	VDOME/WB4	Wall Mount Kit for VKCD-1329/IR and VKCD-1331
	VDOME/WEDGE1	Wedge Mount Kit for VKCD-1329/IR and VKCD-1331
	VDOME/HB-K1	Heater & Blower Kit 24VAC for VKCD-1329/IR and VKCD-1331
	VT-PS12DC-8	Plug-in Power Supply Unit 100-240VAC 12VDC (1.0Amp), Regulated, with DC Plug
	VT-PS12DC-7	Plugable PSU w. Cont. & UK Mains plug-in 100-240VAC/12VDC-1.25A, Regulated
	NE-132/AC24V	Power Supply Unit 230VAC/24VAC (1.0A)

Optional Accessories (continued)

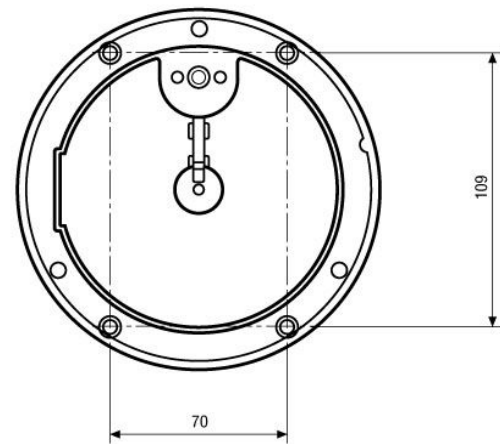
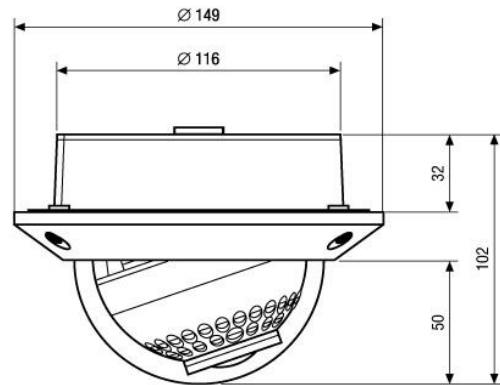
Image	Artikel-Nr. / Typ	Description
	VT-PS12DCDT1	PSU 12VDC/1.0A, Regulated, Desktop Version, 1.8m Cables each w. open ends

Technical Drawing

Aufbau / Surface Mount



Einbau / Flush Mount



Maße/Dimensions: mm



Your partner for eneo products:

