

VKCD-1328WSM/MF

Home | Security | Dome Cameras | Fixed

VKCD-1328WSM/MF
1/3" Mini Dome, Fixed, Day&Night, clear, 3.7mm,

540TVL, 12VDC, White

Art-Nr. 92541



Main Features

For Wall and Surface Mount

Vandal Resistant

Removable IR Cut Filter

Integrated Lens F2.0/3.7mm

Resolution of 540 Horizontal Lines

High Speed Shutter Control (ESC)

Backlight Compensation (BLC)

Automatic White Balance (ATW)

Manual 3-axis Camera Adjustment

White Aluminium Die-cast Casing

Clear Lexan Bubble, 57mm

For Easy Indoor and Outdoor Installation (IP66)

Specifications

Video standard	PAL
System	day&night
Sensor size	1/3"
Imager	CCD, Sony Super HAD II Interline Transfer
Active picture elements	440,000, 752(H) x 582(V)
Synchronization	Internal
Signal-to-noise ratio	50dB (AGC OFF)
Sensitivity (at 50% video signal)	0.16Lux (colour), 0.1Lux at b&w (Videor measurement result at F1.2)
Horizontal resolution	540 TVL
Rotation range	360°
Automatic gain control (AGC)	Included
Automatic electronic shutter (ESC)	1/50 ~ 1/100,000sec.
Low Speed Shutter	no

VKCD-1328WSM/MF

(Continuation Specifications)

Digital Noise Reduction (DNR)	no
White balance (ATW)	3000 ~8000K (Automatic)
Backlight compensation	BLC
Wide Dynamic Range (WDR)	no
Backlight compensation	Center weighted
Aperture Correction (APC)	Horizontal and vertical
IR cut filter	switchable
Video outputs	CVBS, 1Vp-p, (C)VBS, 75ohms, BNC
Lens mount	integrated lens
Lens type	fixed focal length
Lens	F2.0 / 3.7mm with fixed iris
Focal length	3,7 mm
Horizontal angle of view	67°
Iris control	no
MOD (Minimum object distance)	0,1 m
Filter screw size	not available
Illumination	not implemented
Cable connection	Video (BNC), 12VDC (DC jack)
Serial interfaces	no
Temperature range (Operation)	-10° ~+50°C
Heater	no
Protection rating	IP66, at installation according to the manual
Supply voltage	12VDC, 12VDC (9 ~15VDC), 12VDC ±0.5V recommended
Power consumption	3.0watts
Vandalism resistant	yes
Colour (bubble)	clear
Mounting	surface mount, wall mount
Housing	Outdoor
Housing material	Aluminium
Colour (housing)	white
Dimensions (HxWxD)	See drawing
Weight	260g
Parts supplied	Camera, Manual
Certificates	CE

Optional accessories

70535	VT-PS12DC-8	Plug-in Power Supply Unit 100-240VAC 12VDC (1.0Amp), Regulated, with DC Plug
70495	VT-PS12DC-7	Plugable PSU w. Cont. & UK Mains plug-in 100-240VAC/12VDC-1.25A, Regulated

VKCD-1328WSM/MF

77773

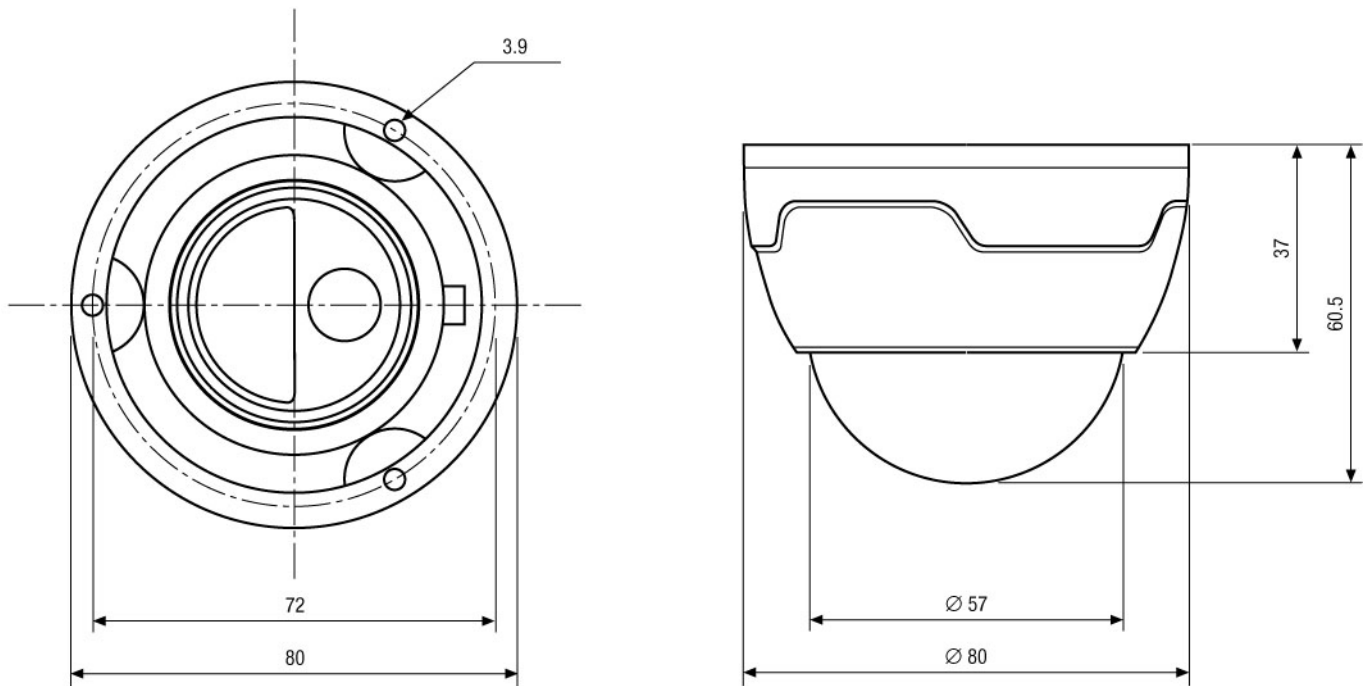
VT-PS12DCDT1

PSU 12VDC/1.0A, Regulated, Desktop Version, 1.8m Cables each w. open ends

VKCD-1328WSM/MF

Home | Security | Dome Cameras | Fixed

Technical drawing



Maße/Dimensions: mm