



## VKCD-1326B/IR

Article-No.: 92701

1/3" Dome, Fixed, Day&Night,  
tinted, 3.8-9.5mm, 600TVL,  
IR Illumination, 12V

### Mainfeatures

1/3" Super HAD II CCD sensor  
Intelligent IR illumination  
Digital noise reduction (DNR)  
Privacy zones, mirror function, motion detection  
High speed shutter (ESC & MES)  
Supply voltage 12VDC

Integrated F1.2/3.8-9.5mm varifocal DC lens  
Menu-controlled setup  
Intelligent backlight compensation (SBLC)  
Automatic/manual white balance (AWB)  
Manual 3-axis camera gimbal  
For wall and ceiling flush and surface mount

### Specifications

System	day&night
Video standard	PAL
Sensor size	1/3"
Imager	CCD
Active picture elements	440,000 (H) 752 x (V) 582
Horizontal resolution	600 TVL
Synchronization	internal
Signal-to-noise ratio	50dB (AGC OFF)
Gamma correction	0.45
Sensitivity (at 50% video signal)	0,18 Lux
Sensitivity (at 50% video signal)	(colour), 0.09Lux (B&W) at F1.2 (measured)
Automatic gain control (AGC)	ON/OFF, 0~20dB adjustable
Automatic electronic shutter (ESC)	1/50 ~ 1/120,000sec.
Manual electronic shutter (MES)	1/50 ~ 1/120,000sec.
Low speed shutter	no
Digital Noise Reduction (DNR)	yes

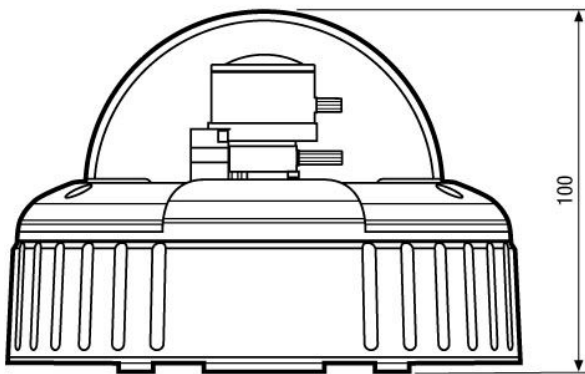
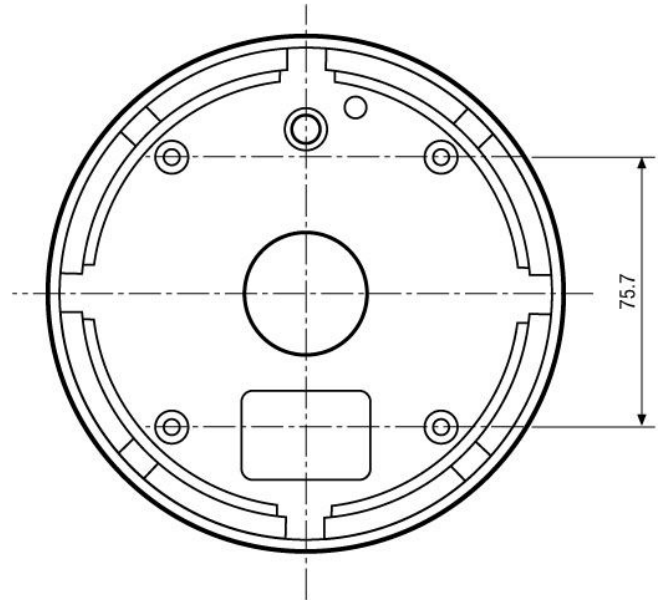
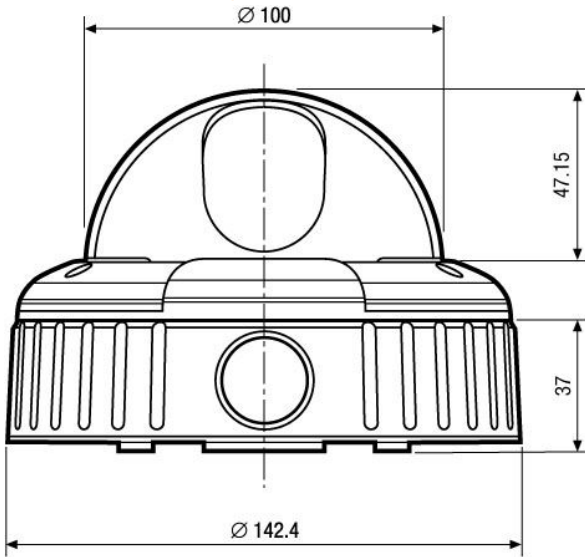
## Specifications (continued)

Backlight compensation	SBLC
Wide Dynamic Range (WDR)	no
White balance	automatic, manual, push to set
Aperture Correction (APC)	horizontal, vertical
Flickerless function	On/Off switchable
IR cut filter	switchable
IR cut filter	motorized, switchable filter. Automatic function depend on the amount of light, or fixed on "Day" or "Night" mode (Menu controlled)
Privacy zones masking	4 areas, masking, X/Y start/end
Menu languages	English
OSD function control	iris, shutter control, white balance, AGC, day&night, BLC, digital noise reduction (DNR), sharpness, mirror horizontal, motion detection, privacy zones
Text display	8 character labels, ON/OFF switchable
Activity detection	yes
Motion detector	4 zones, ON/OFF switchable
Mirror function	horizontal
Digital zoom	no
Analysis Functions	no
Lens type	varifocal
Focal length	3,8 mm - 9,5 mm
Horizontal angle of view	64,6° - 28,4°
MOD (Minimum object distance)	0,15 m
Aperture range (F)	F1.2-F270
Iris control	DC
Video outputs	composite (CVBS)
Video outputs	1Vp-p, CVBS, 75ohms
Alarm inputs	no
Alarm outputs	-
Rotation range	360°
Illumination	infrared
External connections	video (BNC), voltage input
Serial interfaces	no
Housing	outdoor
Housing material	aluminium
Colour (bubble)	tinted
Heater	no
Mounting	wall mount, ceiling mount
Supply voltage	12VDC
Supply voltage	(+/-20%)
Power consumption	4.0watts max.
Temperature range (operation)	-10°C ~ +50°C
Protection rating	IP65
Vandalism resistant	yes
Dimensions (HxWxD)	see drawing
Parts supplied	dome camera, bag of screws, test monitor cable, DC cable with open ends, drilling template, manual
Certificates	CE

## Optional Accessories

Image	Artikel-Nr. / Typ	Description
	VT-PS12DC-7	Plugable PSU w. Cont. & UK Mains plug-in 100-240VAC/12VDC-1.25A, Regulated
	VT-PS12DCDT1	PSU 12VDC/1.0A, Regulated, Desktop Version, 1.8m Cables each w. open ends
	VT-PS12DC-8	Plug-in Power Supply Unit 100-240VAC 12VDC (1.0Amp), Regulated, with DC Plug
	VDOME/WB2	Wall Mount Kit for Vandalism Resistant Dome Cameras SM/VF Series
	3/4" - M25X1.5	Thread Adapter 3/4" - Conduit Connection M25x1.5mm for Dome Surface Mount Housing

### Technical Drawing



Maße/Dimensions: mm

Your partner for eneo products:

